

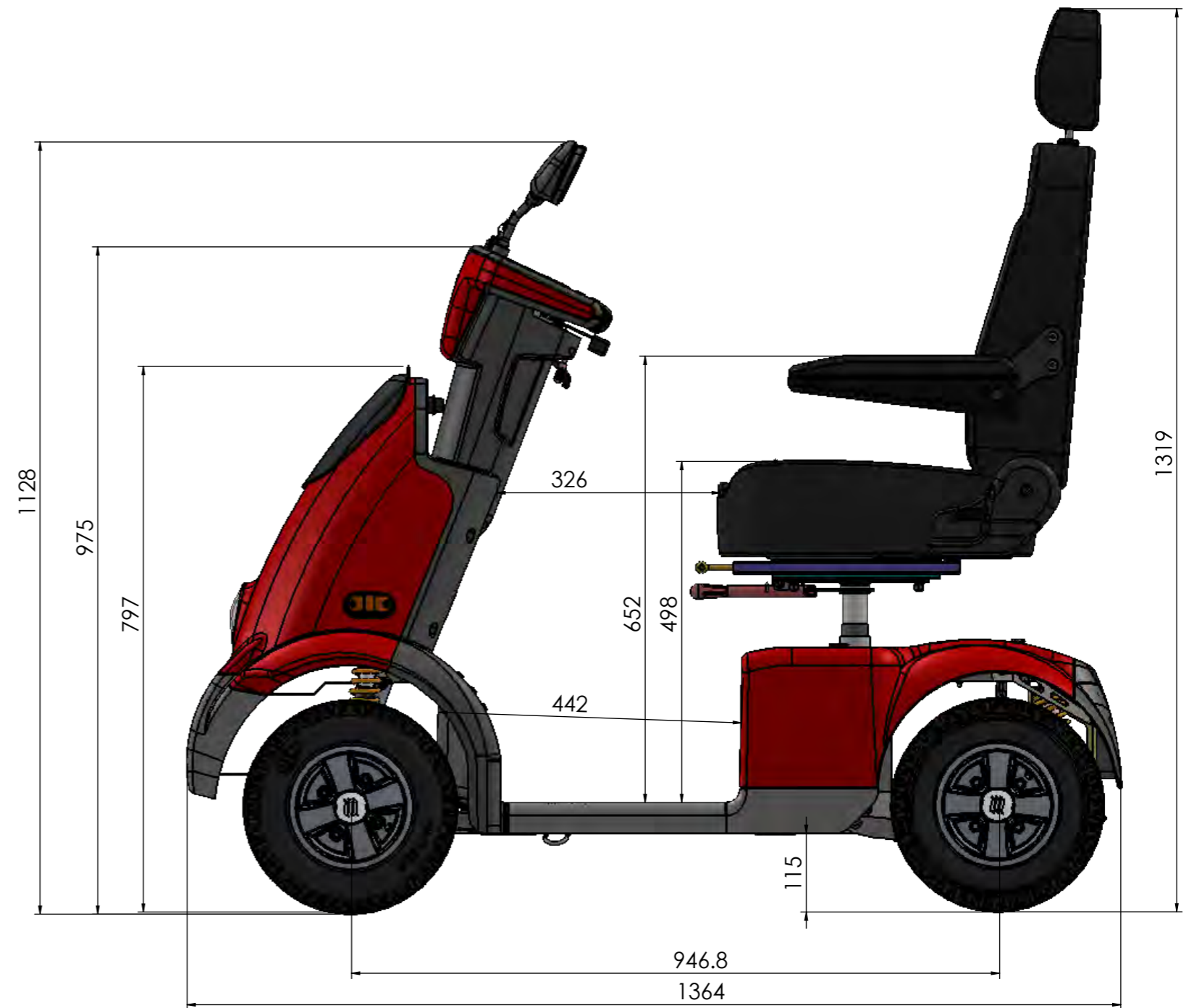
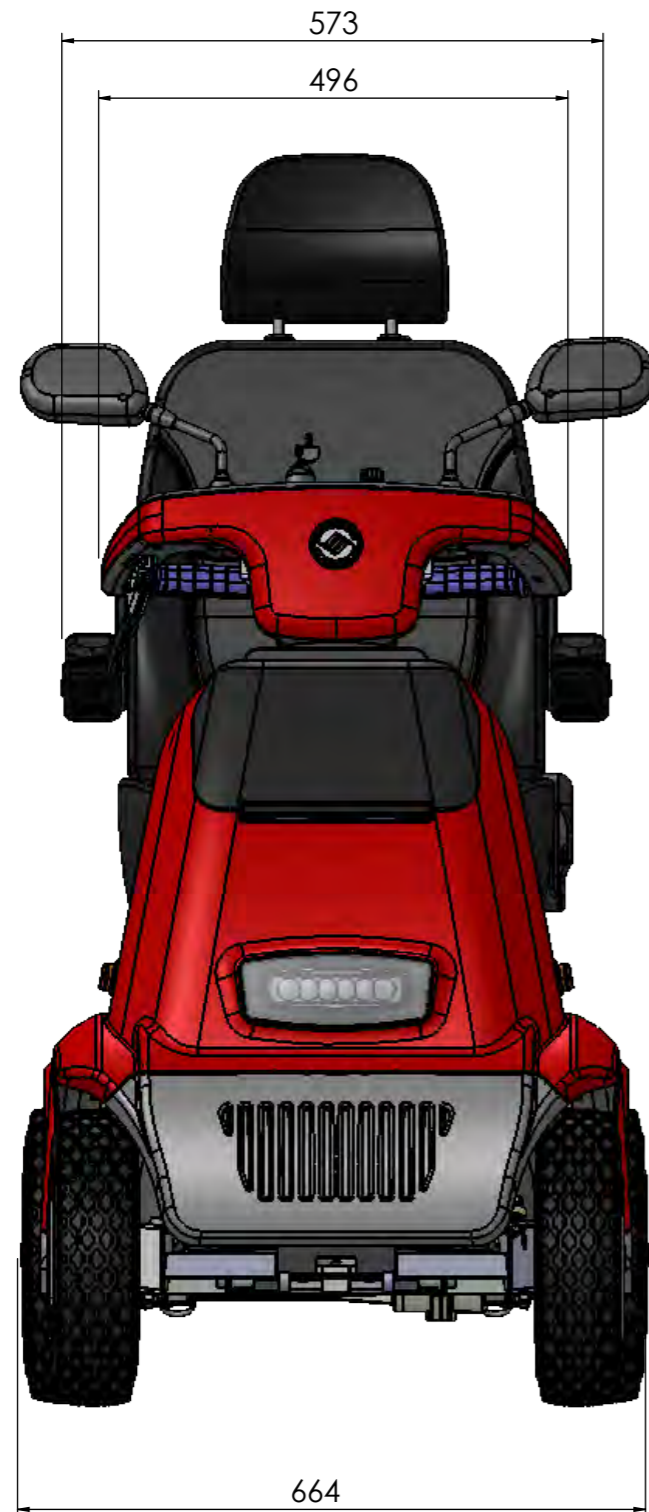
NAME: TDC4001

DATE: 30-10-19

## Contents:

1 .....	contents	15 .....	Long bar steering assy.
2 .....	General dimensions	16 .....	Short bar steering assy.
3 .....	Plastic explode	17 .....	Trail king pin service assy.
4 .....	Front cover assy.	18 .....	Front wheel assy.
5 .....	Mud guard assy.	19.....	Rear explode
6 .....	Battery cover assy.	20 .....	Rear bumper assy.
7 .....	Front explode	21 .....	Rear brake assy.
8 .....	Tiller assy.	22 .....	Left rear wheel assy.
10 .....	Tiller top cover assy.	23 .....	Right rear wheel assy.
11 .....	Tiller back cover assy.	24 .....	Seat explode
12 .....	Tiller front cover assy.	25 .....	Seat assy.
13 .....	Tiller frame assy.	26 .....	Electronic draw
14 .....	Tiller top plate assy.		

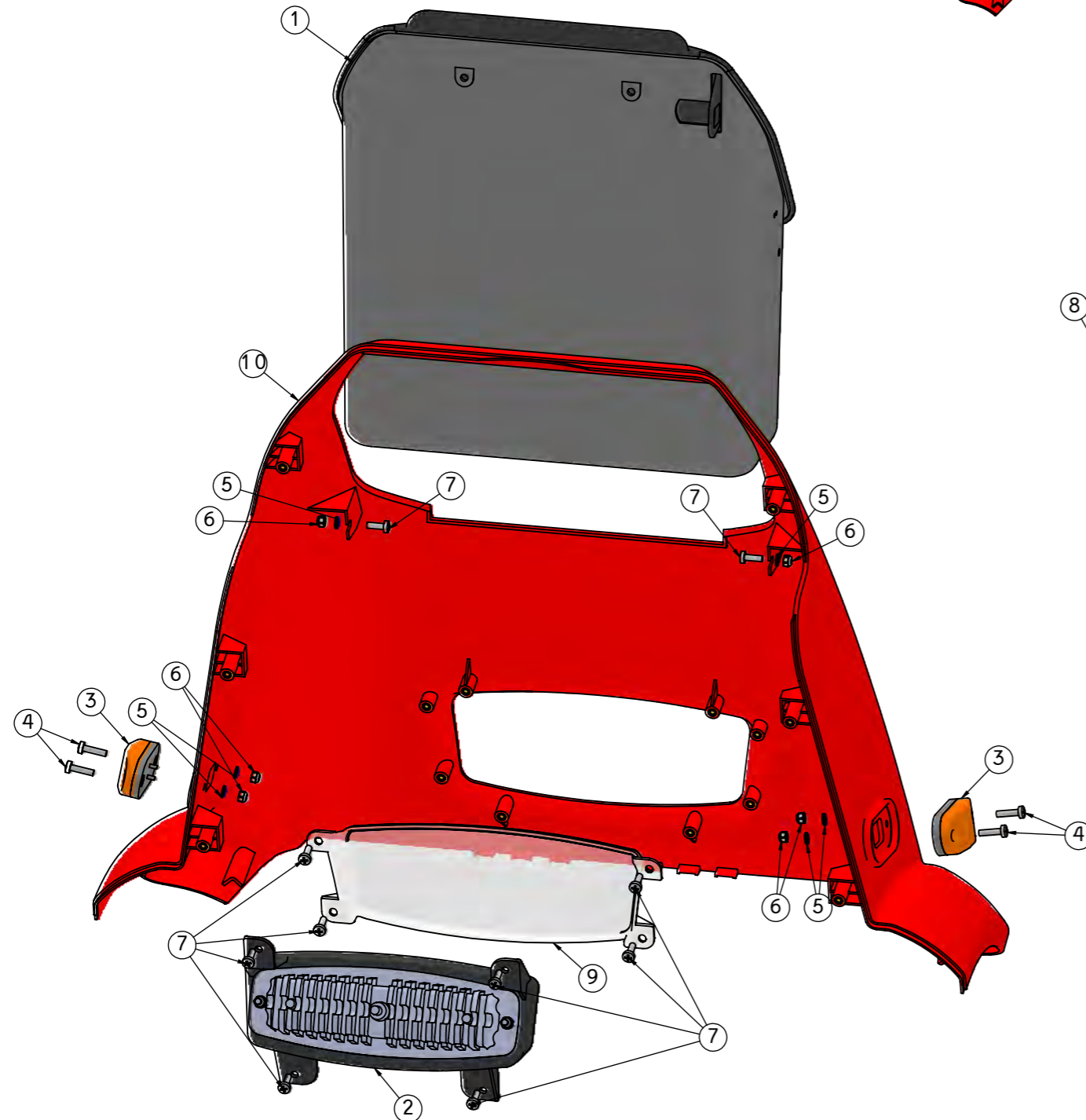
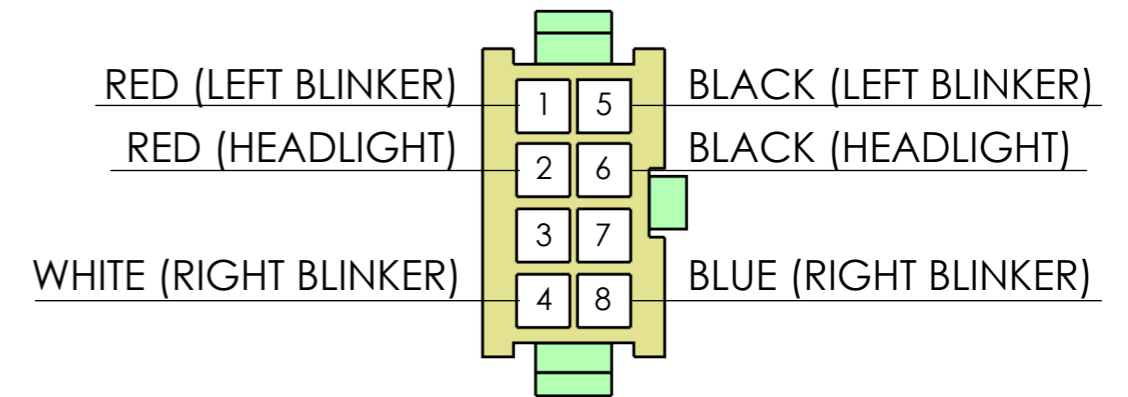
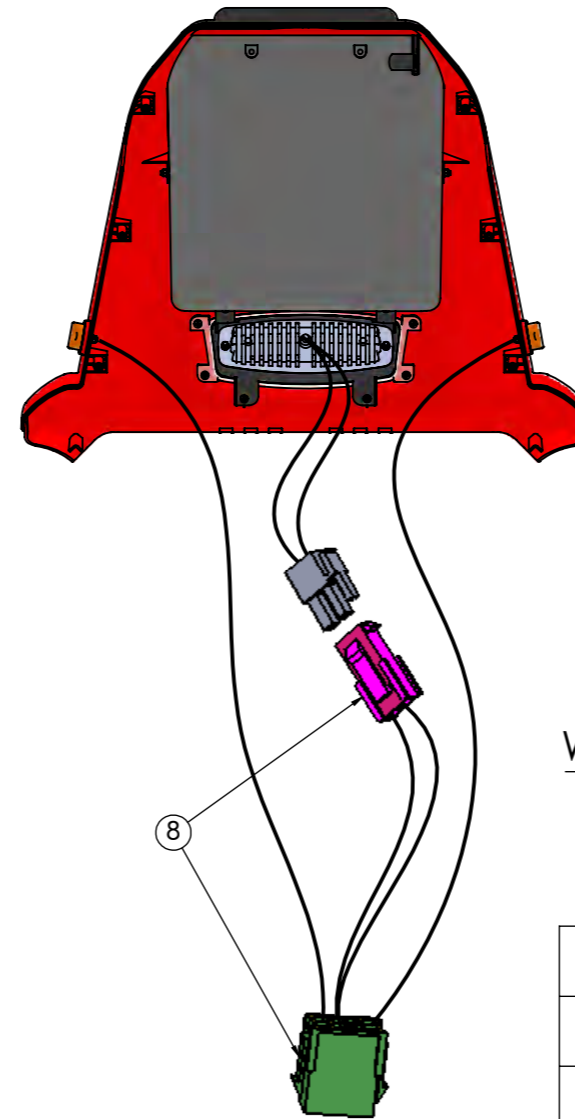
# GENERAL DIMENSIONS



NOTE: The maximum height in folded position is 880 mm.



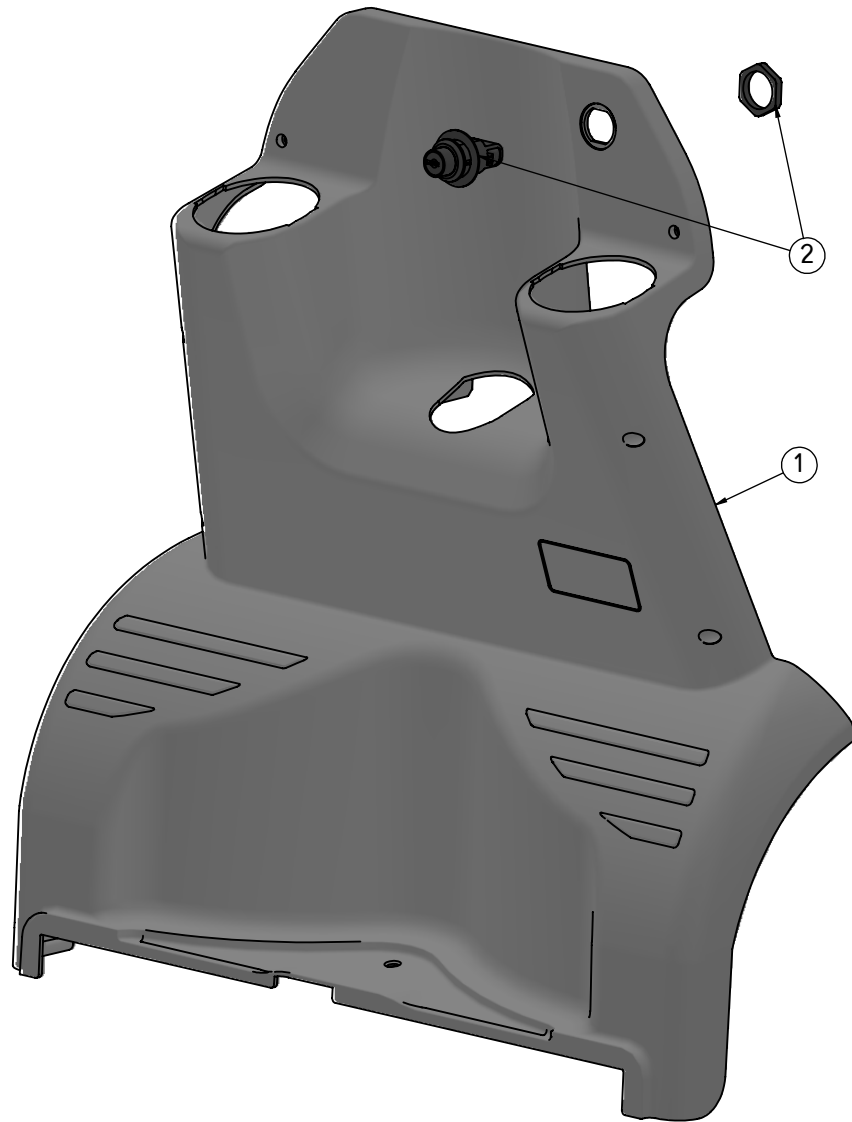
PART NO.	COLOR	ASSY NO.
IPC4130	RED	ASC4322
IPC4128	BLUE	ASC4323
13129	SILVER	ASC4324
IPC4133	GRAY	ASC4336



10	13129	Deksel front	1
9	13127	Deksel, glass til frontlykt	1
8	ASC4041	HARNES FRONT LIGHT/BLINKER CONNECT AFISCO. C3/4	1
7	SC00041	SCREW PHILLIPS BN384 M4*12 GLV	10
6	SC00032	NUT NYLOCK BN161 M4 GALV.	6
5	WA00018-WASHER M4 8X0.8 GALV	WASHER M4 8X0.8 GALV.	6
4	SC00001-SCREW ROUND PHIL M4x16	SCREW ROUND PHIL.M4*16 GALV.	4
3	12100	Blinklys foran	2
2	13108	Hovedlykt	1
1	13106	Hanskerom boks front	1

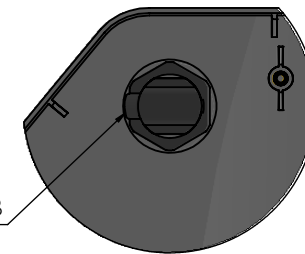
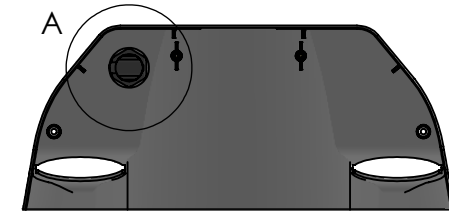
ITEM NO.	PART NUMBER	DESCRIPTION	QTY
Unless otherwise specified, Dimensions are in mm.			
ITAI		ITAI	ITAI
Checked: SHUKI		SHUKI	SHUKI
Approved: SHUKI		SHUKI	SHUKI
General Tolerance:		Linear	Angular
29/01/19	X	±0.3	±1°
Date	ECO	Rev.	
Drawing no. ASC4322a		Part name: FRONT COVER ASSY AFISCOOTER C4	
Date	Size	Page: 1	Cat. No.
29/01/19	A3	Of: 1	SEE TABLE





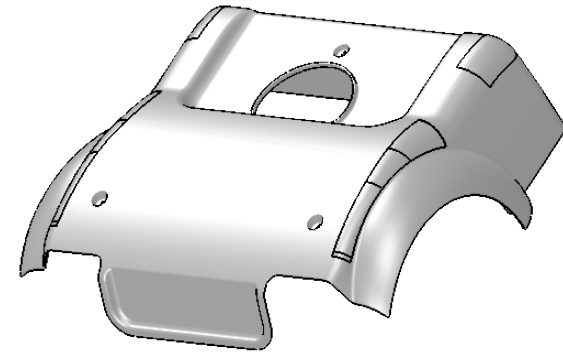
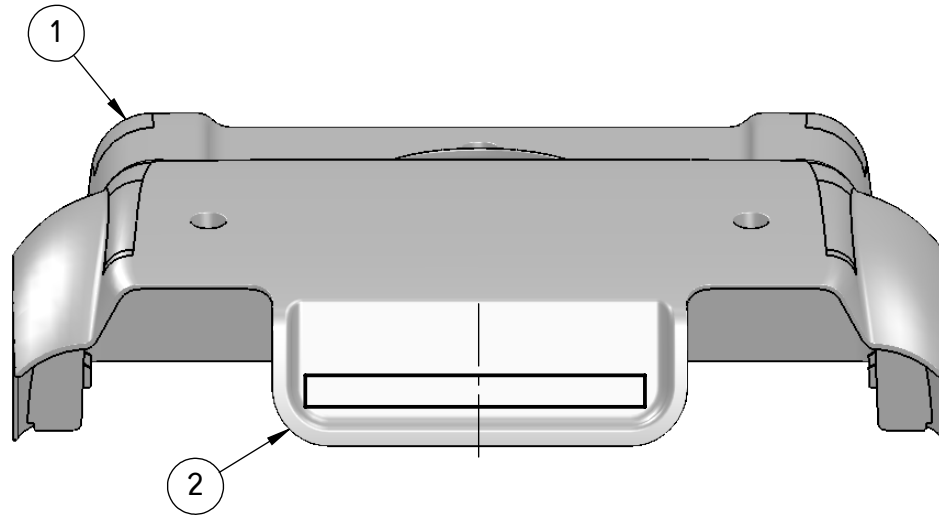
NOTES:

1. UNTIGHTEN THE LOCK'S NUT.
2. INSERT THE LOCK INTO THE HOLE, AND PLACE THE LOCK'S TAB HORIZONTALLY AND TURNED OUTWARD (SEE DETAIL A).
3. TIGHTEN THE LOCK'S NUT.



DETAIL A  
SCALE 1 : 3

2	ACS4001	PUSH BUTTON LATCH WITH SPRING TAB	1								
1	13124	Deksel, sølebeskytter	1								
ITEM NO.	PART NUMBER	DESCRIPTION	QTY.								
Unless otherwise specified: Dimensions are in mm.		Design: ITAI Drawn: ITAI Checked: SHUKI Approved: SHUKI	Drawing no. ASC4320a								
	e		AFIKIM ELECTRIC VEHICLES KIBUTZ AFIKIM 15148 ISRAEL TEL: 972-4-6754814 FAX: 972-4-6751456 E-mail: mainbox@afiscooters.com Website: www.afiscooters.com								
	d										
	c										
	b										
	a										
29/01/19	X	General Tolerance: Linear      Angular	Part name: MUD GUARD ASSY AFISCOOTER C4								
Date	ECO	Rev.	±0.3      ±1°								
			<table border="1"> <tr> <td>Date</td> <td>Size</td> <td>Page: 1</td> <td>Cat. No.</td> </tr> <tr> <td>29/01/19</td> <td>A4</td> <td>Of: 1</td> <td>ASC4320</td> </tr> </table>	Date	Size	Page: 1	Cat. No.	29/01/19	A4	Of: 1	ASC4320
Date	Size	Page: 1	Cat. No.								
29/01/19	A4	Of: 1	ASC4320								




PLASTIC COVER PART NO	COLOR	ASSY. PART NO.
IPC4101	BLUE	ASC4220
13126	SILVER	ASC4221
IPC4121	RED	ASC4222
IPC4134	GRAY	ASC4229

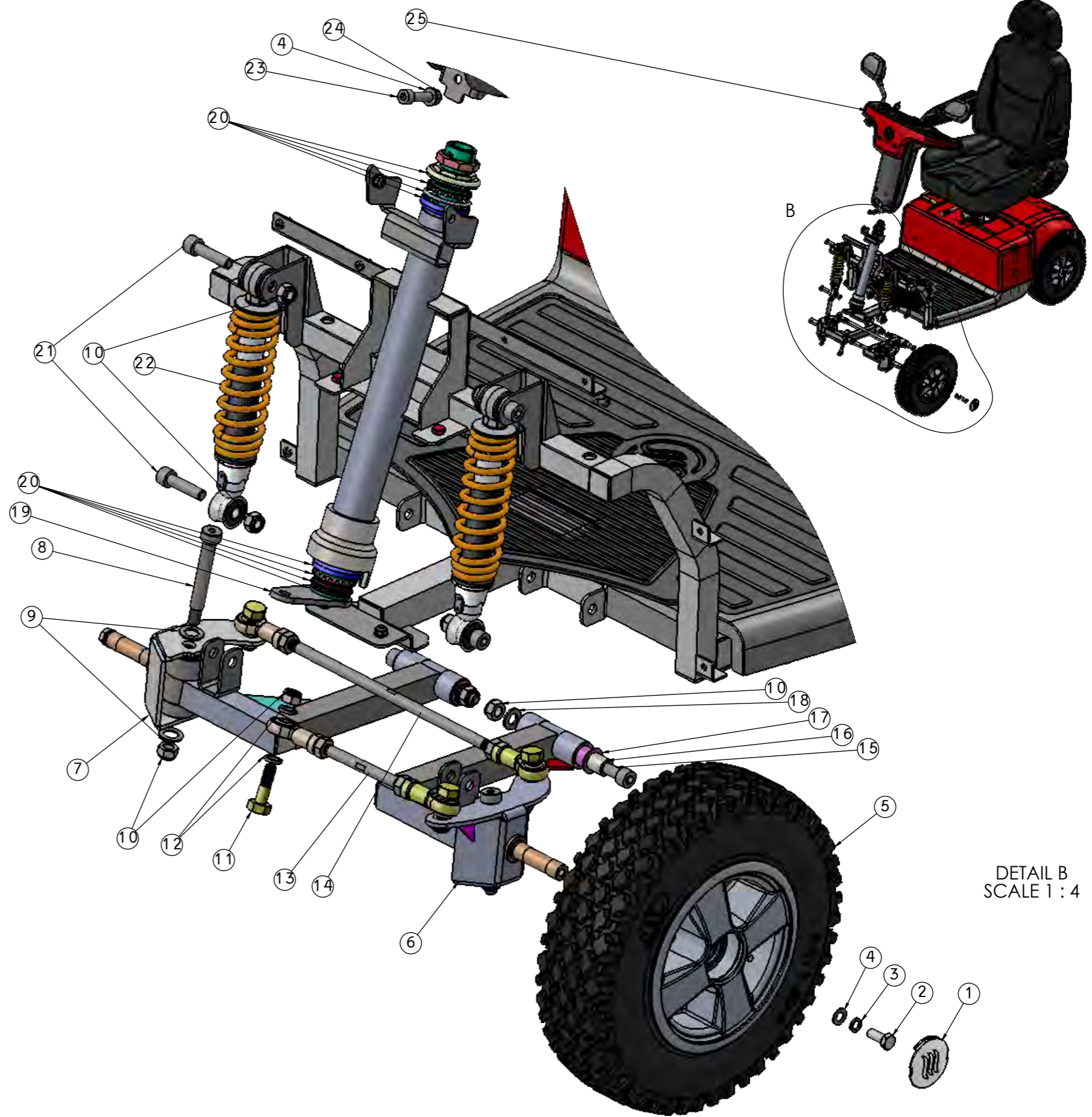


ADD GRAY COLOR

ITEM	QTY.	DESCRIPTION	PART NO.	DWG. NO.
2	1	STICKER LOGO AFISCOOTER C3/4	STC4016	STC4016*
1	1	BATTERY COVER AFISCOOTER C3/4	13126	

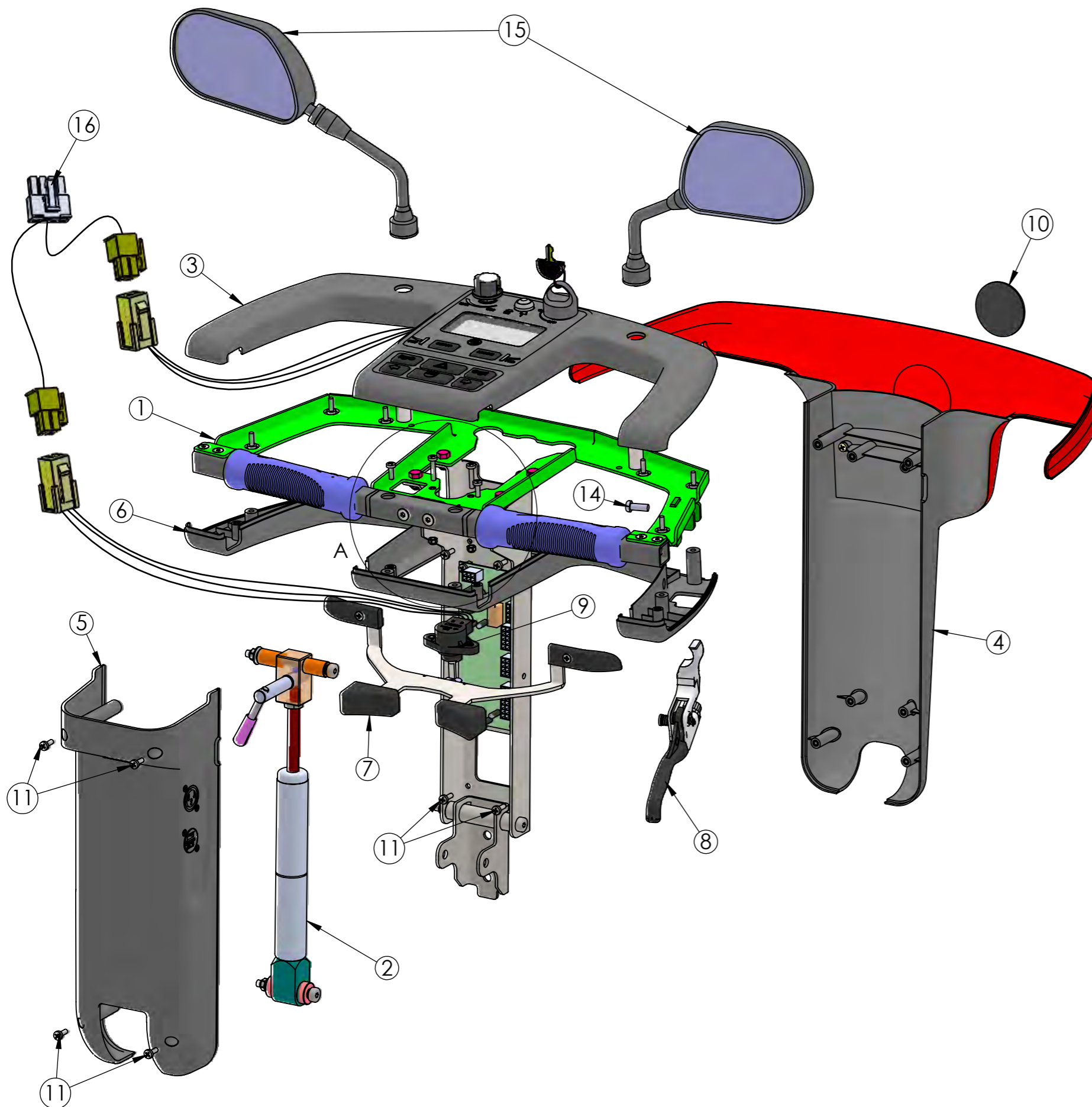
Do not scale from drawing.			Draw.	Michael	Drawing no.	 AFIKIM ELECTRIC MOBILIZERS KIBUTZ AFIKIM 15148 ISRAEL TEL: 972-4-6754814 FAX: 972-4-6751456 E-mail: mainbox@afiscooters.com Website: www.afiscooters.com		
Approved only with stamp			Checked:				ASC4220b	
		e	Production:		<b>Part name:</b> BATTERY COVER + STICKER AFISCOOTER C3/4 ASSY.			
		d	Confirme:					
		c	Tolerance.					
		b	Linear	Angular				
8 - 8 - 19	EC190015	a	±0.3	±1°	Date	Scale	Page: 1	Cat. No.
4 - 3 - 18	x				4 - 3 - 18		Of: 1	SEE TABLE
Date.	Conf.	Update.						

ITEM	NAME	PART NO	QTY
1	Plugg, plast	12066	4
2	SCREW HEX.GALV.M8*20	SC00208	2
3	WASHER SPRING S.S M8 51450	SC00279	2
4	WASHER M8 16*1 GALV.	WA00005	2
5	FRONT WHEEL ASSY AFISCOOTER C4	ASC4332	2
6	TRAIL-L-KING PIN AFISCOOTER C3/4 ASSY	ASC4101	1
7	TRAIL-R-KING PIN AFISCOOTER C4 ASSY	ASC4102	1
8	SCREW SHAFT M10 12*70	SC00434	2
9	FLAT WASHER GALV.1/2-22*1.5	WA00064	4
10	NUT NYLOCK M10 GAL. DIN 985	SC00104	12
11	STEERING ROD END BEARING BOLT M10X1.5 BRZ C4	MPC4069	4
12	SPRING WASHER M10 GALV.	SC00110	8
13	Styrestag kort, med endeled	13096	1
14	Styrestag langt, med endeled	13095	1
15	HEXAGON SOCK.SCREW M10*95	SC00433	2
16	FRONT TRAIL ARM SLEEVE AFISCOOTER C4	MPC4064	2
17	IGUS GFM-1618-21 AFISCOOTER C3/4	BEC4001	4
18	FLAT WASHER M10 GALV.	WA00072	2
19	STEERING AXLE AFISCOOTER C4 ASSY	ASC4217	1
20	Lagersett til styreaksling	13450	1
21	SCREW R/H M10*40	SC00177	4
22	NEW SHOCK ABSORB FRONT AFISCOOTER C4	SAC4003	2
23	SCREW R/H M8*40	SC00176	2
24	NUT NAYLOCK M8	SC00165	2
25	Tiller, styrestamme sølv, komplett	13102	1

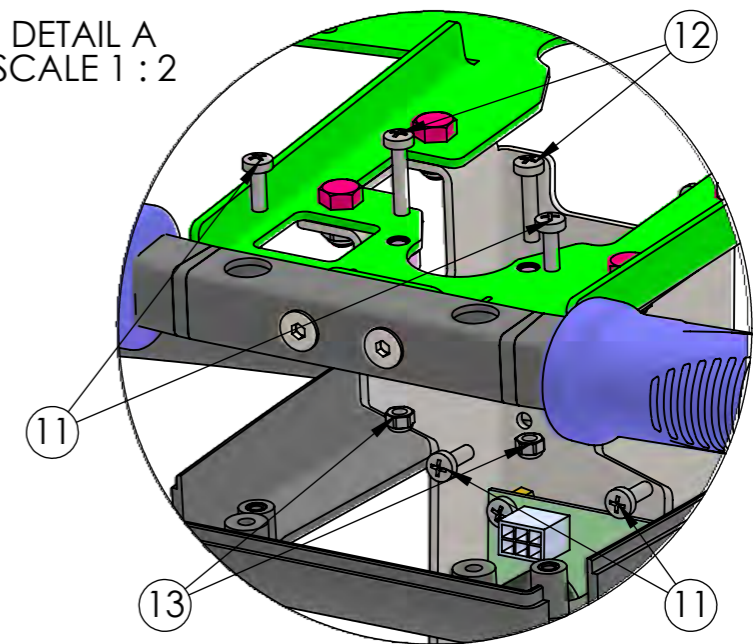


DETAIL B  
SCALE 1 : 4





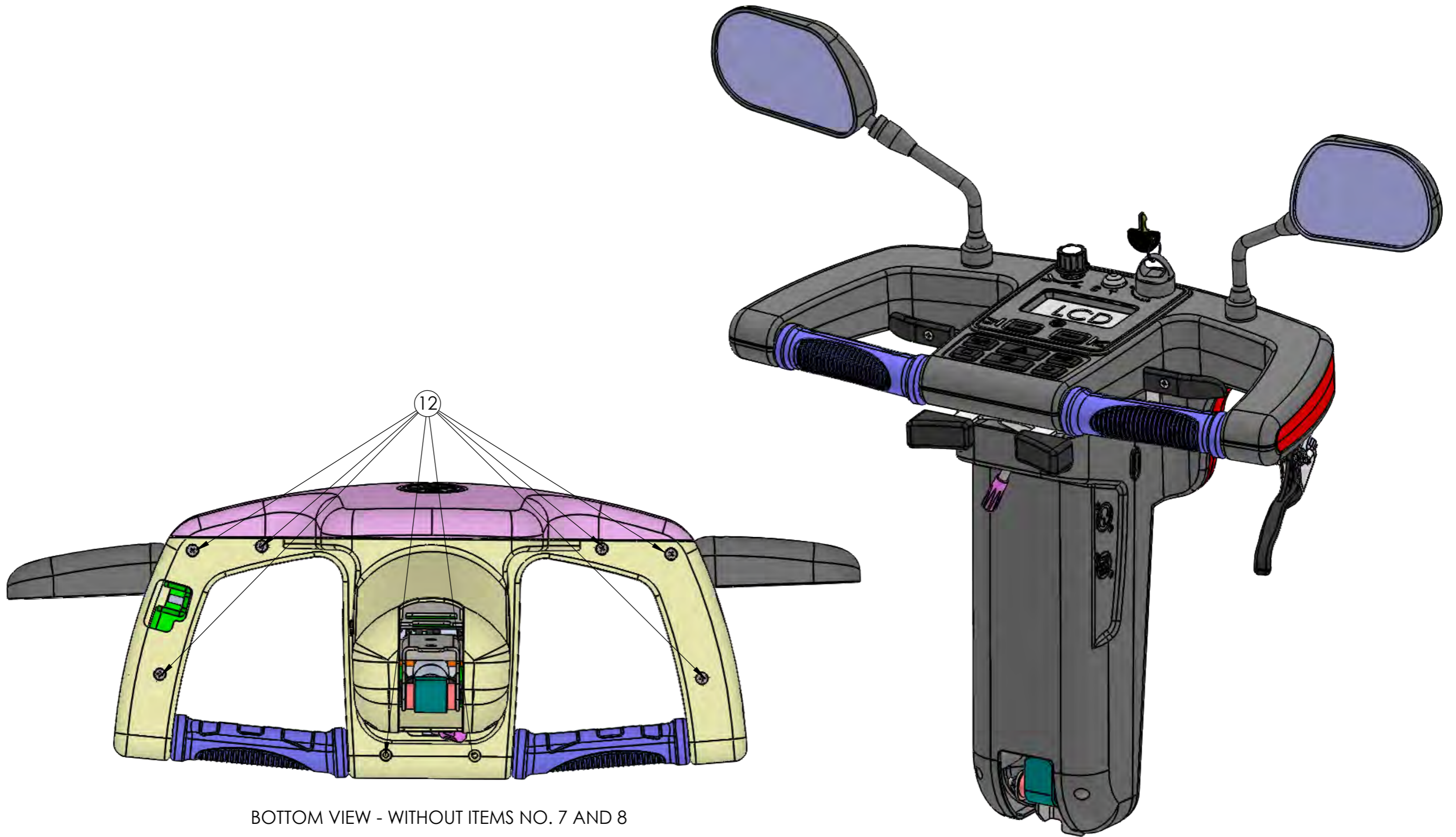
DETAIL A  
SCALE 1 : 2




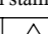
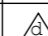
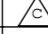
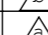

16	ASC4316	ADAPTER HARNESS POTENTIOMETER C3/4	1
15	10782/10781	Speil, høyre og venstre	1
14	SC00155	HEX.SOCK.HE.GALV. M6*16	1
13	SC00032	NUT NYLOCK BN161 M4 GALV.	2
12	SC00040	SCREW PHILLIPS BN384 M4*20 GLV	2
11	SC00041	SCREW PHILLIPS BN384 M4*12 GLV	16
10	STBR015	STICKER LOGO	1
9	ASC4315	POTENTIOMETER TOCOS ASSY	1
8	SHC4100	BRAKE LEVER C3/4	1
7	13101	Wigwag gashendel	1
6	13118	Deksel, styre under	1
5	13086	Deksel, styre bak	1
4	13117	Deksel styre foran	1
3	13119	Deksel styre topp	1
2	13103	Gassfjær styre	1
1	ASC4307	TILLER FRAME ASSY C3/4	1

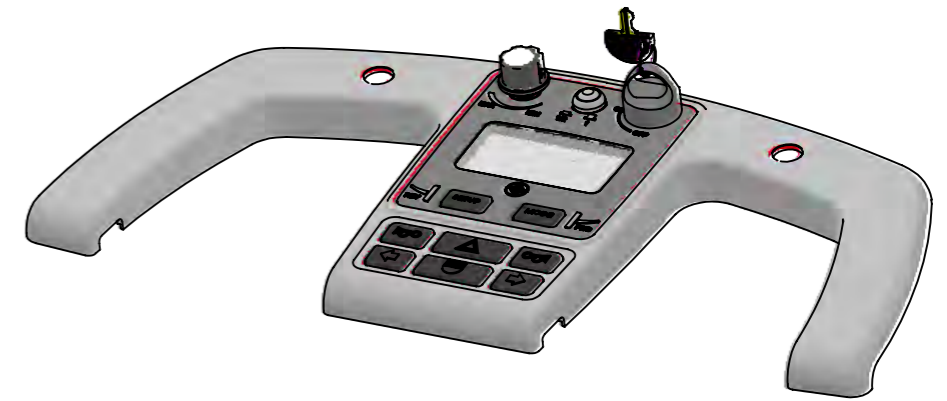
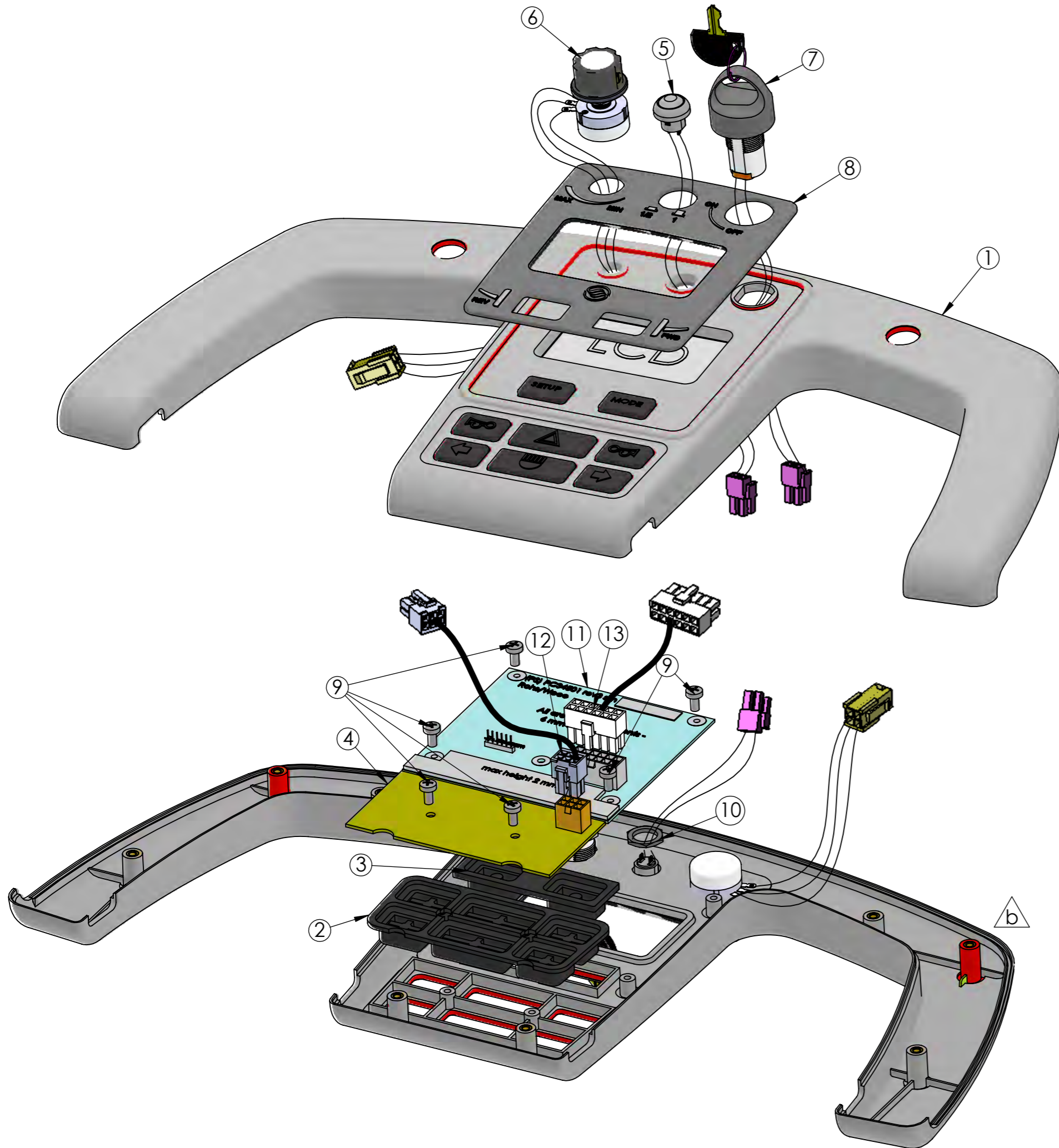
ITEM NO.	PART NUMBER	DESCRIPTION	QTY.
Do not scale from drawing.		Draw: ITAI	Drawing no.
Approved only with stamp		Checked: ITAI	ASC4311c
		Production: SHUKI	Part name: TILLER ASSY C3/4
		Confirme: SHUKI	
		Tolerance:	A3
		Linear [mm]	Date
		Angular [°]	Scale
12-11-18	X	±0.2	Page: 1
Date.	Conf.	Update:	Cat. No.
			12-11-18
			Of: 2
			ASC4311






BOTTOM VIEW - WITHOUT ITEMS NO. 7 AND 8

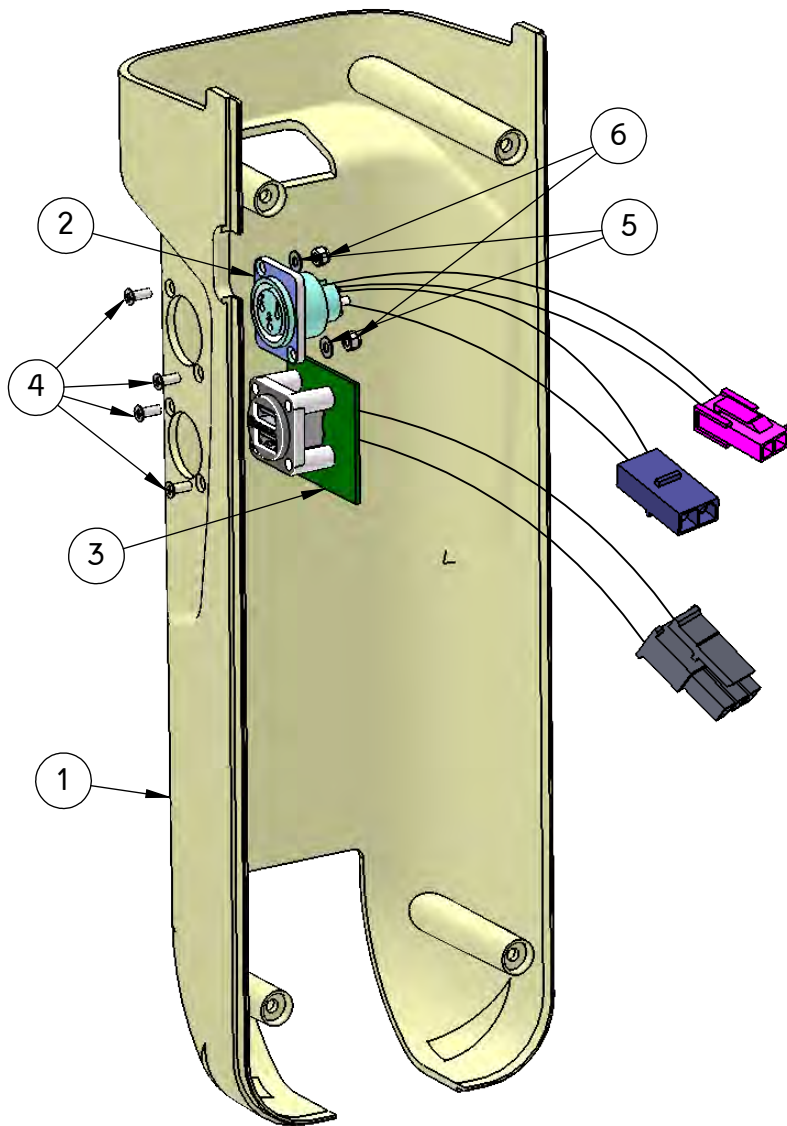
Do not scale from drawing.			Draw.	ITAI	Drawing no.	 AFIKIM ELECTRIC VEHICLES KIBUTZ AFIKIM 15148 ISRAEL TEL.: 972-4-6754814 FAX: 972-4-6751456 E-mail: mainbox@afiscooters.com Website: www.afiscooters.com			
Approved only with stamp			Checked:	ITAI					
			Production:	SHUKI	ASC4311a	Part name:			
			Confirme:	SHUKI					
			Tolerance.		TILLER ASSY C3/4	A3			
			Linear [mm]	Angular [°]					
12-11-18	X		±0.2	±0.5°	Date	Scale	Page: 2	Cat. No.	
Date.	Conf.	Update:			12-11-18	1:5	Of: 2	ASC4311	




13	12020	Elpugg	1
12	ASC4317	LCD Display	1
11	12879	LCD DISPLAY	1
10	SC00420	HEX. SCREW M12X2 GALV.	1
9	SC00007	SCREW PHIL.M4*8 GALV.	6
8	STC4100	STICKER TILLER PANEL C3/4	1
7	ASC4006	KEY SWITCH ASSY C3/4	1
6	ASC4314	POTENTIOMETER SPEED LIMIT ASSY C3/4	1
5	13087	Bryter halv hastighet	1
4	PCC4008	PCB BUTTONS FOR TILLER C3/4	1
3	12531	Gummiknotter	1
2	HWC4100	TILLER BUTTON PAD RUBBER C3/4	1
1	13119	Deksel styre, topp	1

ITEM NO.	PART NUMBER	DESCRIPTION	QTY.
Do not scale from drawing.		Draw. ITAI	Drawing no.  AFIKIM ELECTRIC VEHICLES KIBUTZ AFIKIM 15148 ISRAEL TEL.: 972-4-6754814 FAX: 972-4-6751456 E-mail: mainbox@afiscooters.com Website: www.afiscooters.com
Approved only with stamp		Checked: ITAI	
		Production: SHUKI	
		Confirme: SHUKI	
		Tolerance.	Part name: TILLER TOP COVER ASSY C3/4 A3
		Linear [mm] Angular [°]	
23-10-19		±0.2	±0.5°
12-11-18	X		
Date.	Conf.	Update.	
12-11-18	1:5	Of: 1	Cat. No. ASC4310

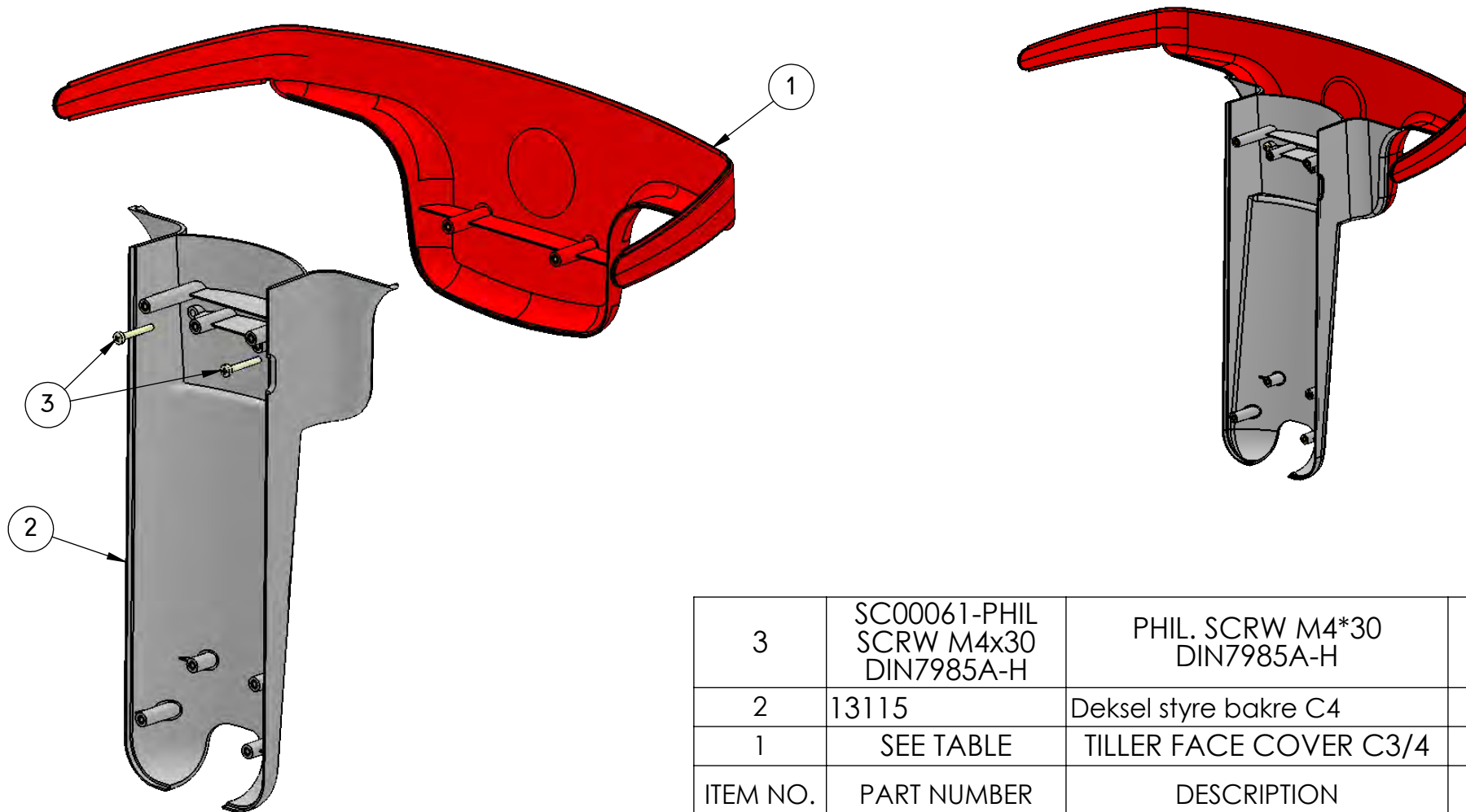





6	DIN EN ISO 7040 - M3 - N		2
5	WA00001- WASHER FLAT GALV 3.2X7X0.5	WASHER FLAT GALV. 3.2*7*0.5	2
4	SC00039-SCREW CONE BN388 M3x8	SCREW CONE BN388 M3*8 GALV.	4
3	12858	USB Kontakt	1
2	ASC4028	HARNESS CHARGING SOCKET AFISCOOTER C3/4 ASSY	1
1	IPC4108	TILLER BACK COVER C3/4	1
ITEM NO.	PART NUMBER	DESCRIPTION	QTY.

Do not scale from drawing.		Draw.	ITAI	Drawing no.	 AFIKIM ELECTRIC VEHICLES KIBUTZ AFIKIM 15148 ISRAEL TEL: 972-4-6754814 FAX: 972-4-6751456 E-mail: mainbox@afiscooters.com Website: www.afiscooters.com
Approved only with stamp		Checked:	ITAI		
		Production:	SHUKI	ASC4309a	
		Confirme:	SHUKI		
				Part name:	
				BACK COVER TILLER ASSY C3/4	
				Tolerance.	
				Linear	Angular
11-11-18	x			Date	Scale
Date.	Conf.	Update.		Page: 1	Cat. No.
			±0.3	11-11-18	
			±1°	Of: 1	ASC4309

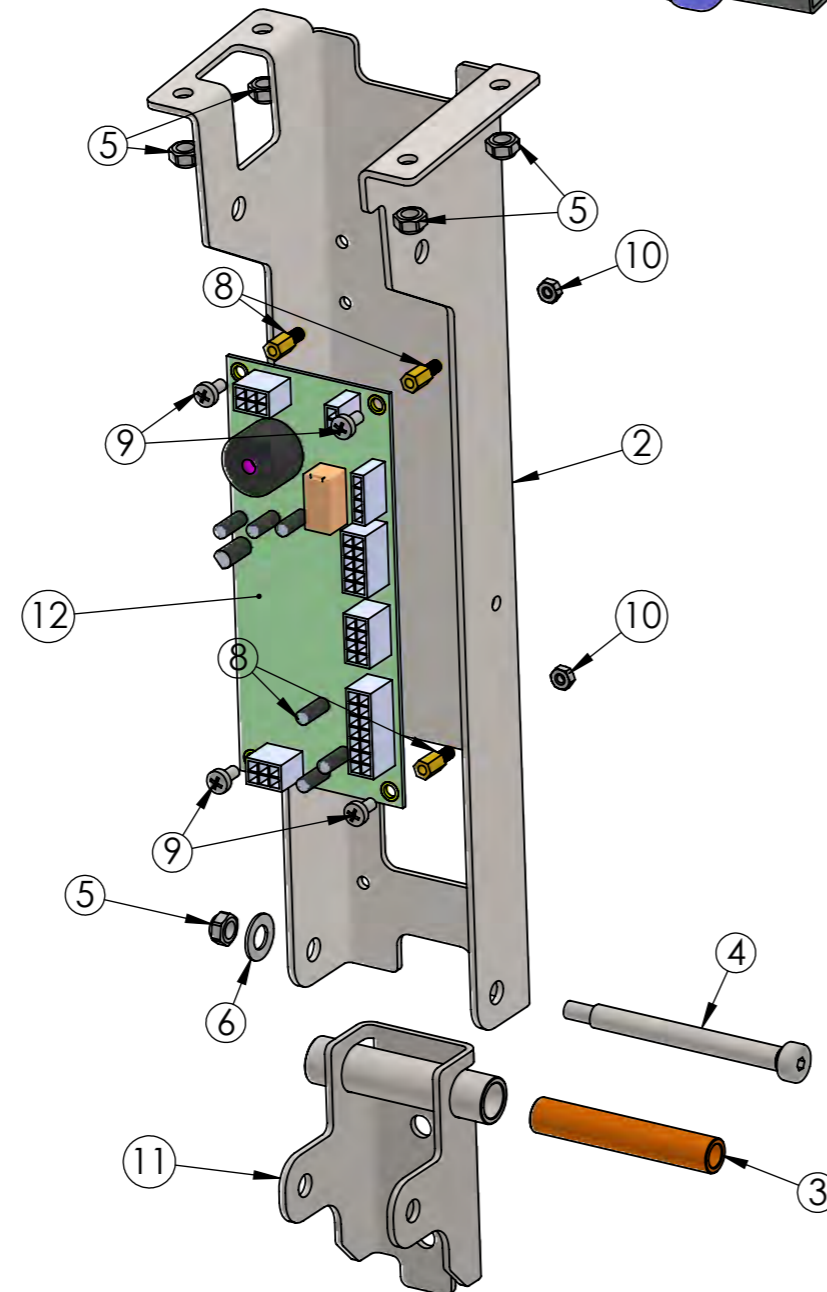
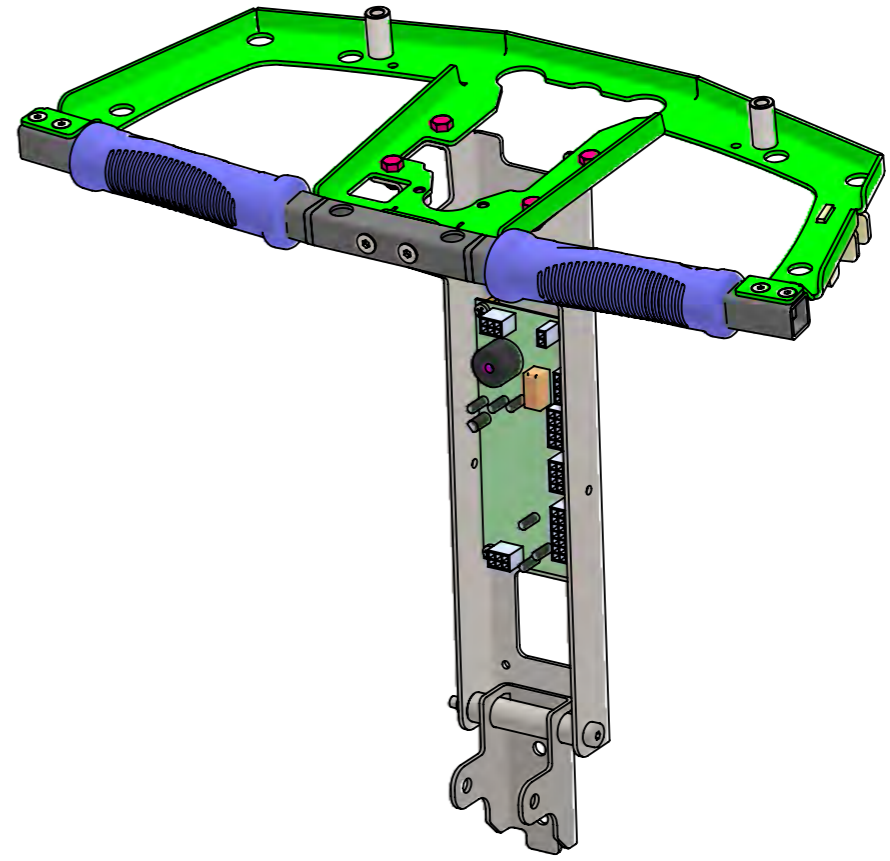
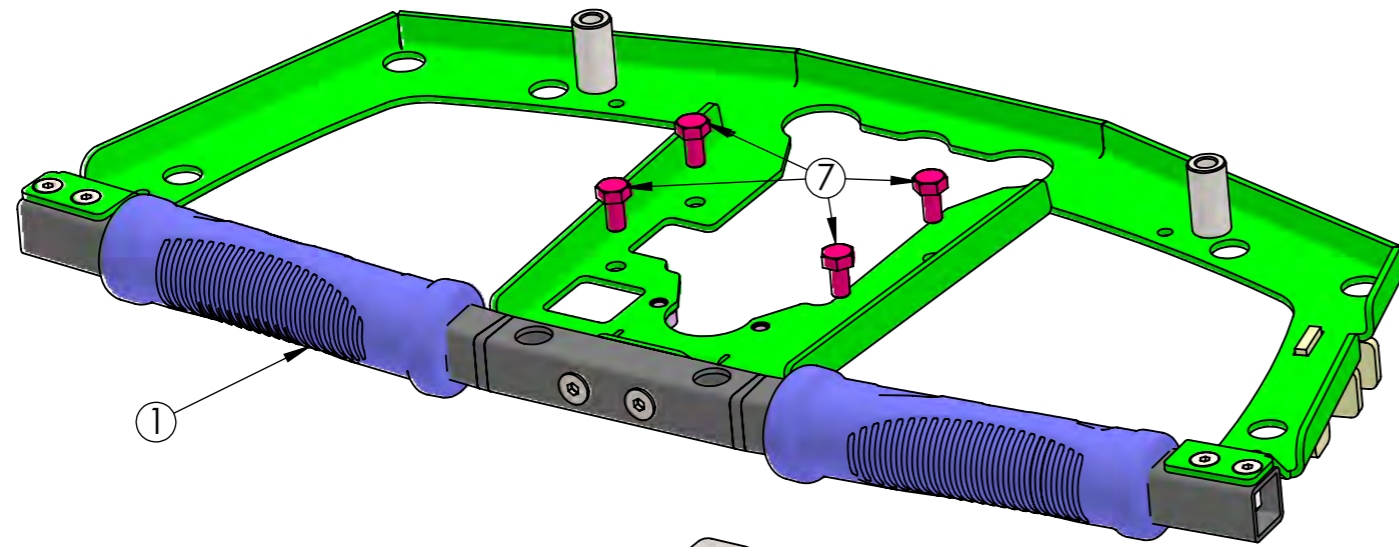




3	SC00061-PHIL SCRW M4x30 DIN7985A-H	PHIL. SCRW M4*30 DIN7985A-H	2
2	13115	Deksel styre bakre C4	1
1	SEE TABLE	TILLER FACE COVER C3/4	1
ITEM NO.	PART NUMBER	DESCRIPTION	QTY.


Do not scale from drawing.		Draw.	ITAI	Drawing no. ASC4308a  AFIKIM ELECTRIC VEHICLES KIBUTZ AFIKIM 15148 ISRAEL TEL: 972-4-6754814 FAX: 972-4-6751456 E-mail: mainbox@afiscooters.com Website: www.afiscooters.com	
Approved only with stamp		Checked:	ITAI		
		Production:	SHUKI		
		Confirme:	SHUKI		
		e		Part name: FRONT TILLER COVER ASSY C3/4	
		d			
		c			
		b			
		a			
		Tolerance.		Date 11-11-18	
		Linear	Angular		
11-11-18	x			Scale	
Date.	Conf.	Update.	±0.3	±1°	Page: 1
					Cat. No.
					Of: 1
					ASC4308

COLORS TABLE		
Part No	Color	Color No
IPC4107	RED	RAL 3032
13117	Deksel styre foran	HONDA NH 743M
IPC4116	BLUE	RAL 5003
IPC4135	GRAY	310 BMW

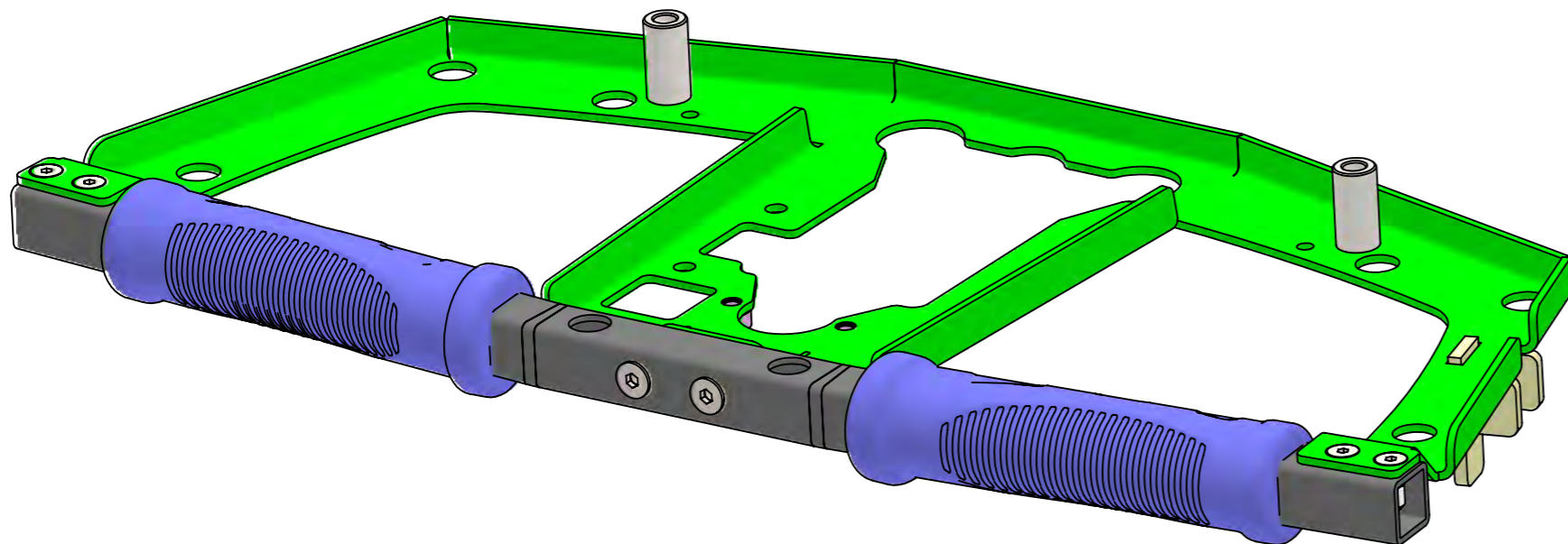
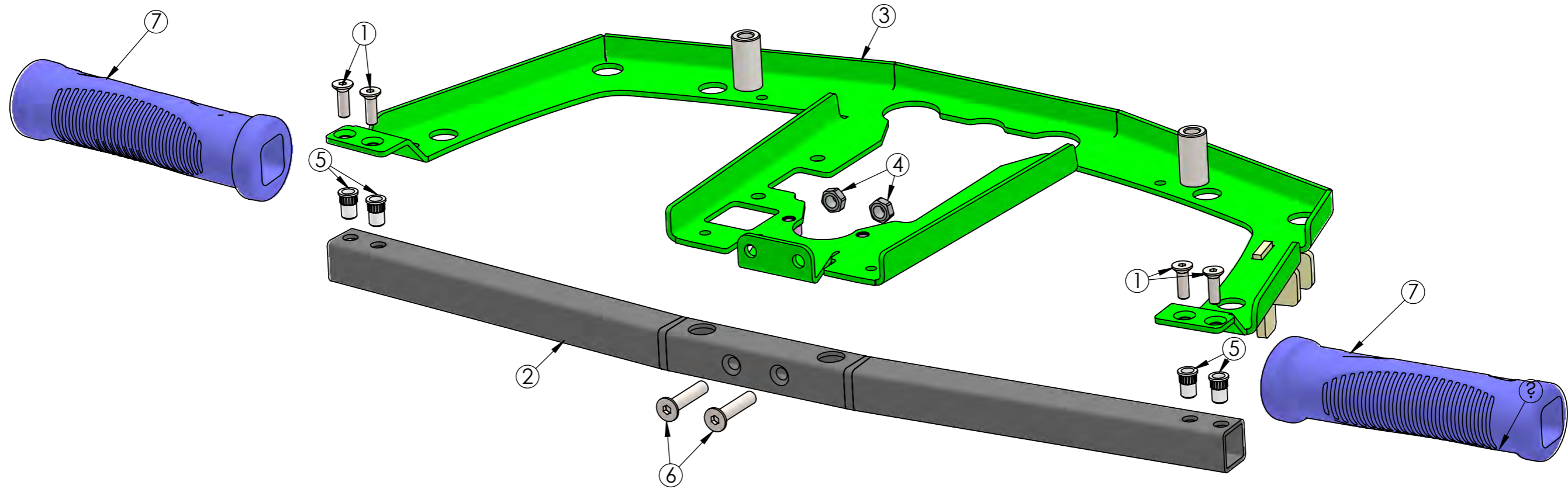


12	13158	Kort foran C4	1
11	MPC4006	BRACKET GAS SPRING PISTON TILLER AFISCOOTER C3-4	1
10	9010350	NUT M4 GALV. BN117	4
9	SC00007	SCREW PHIL.M4*8 GALV.	4
8	MPC4074	FRONT PCB SPACER C3/4	4
7	SC00077	SCREW HEX.M6*12 GALV.	4
6	WA00005	WASHER M8 16*1 GALV.	1
5	901018	NUT NYLOC M6 F/WH. HUB GALV.	5
4	SC00020	SCREW M6-8*75 HEX.SOCK.SHOULDR	1
3	MPC4057	TILLER PISTON AXLE SPACER C3/4	1
2	MPC4107	TILLER BOTTOM PLATE PAINTED	1
1	13085	Plate, stål, styre med håndtak	1

⚠


ITEM NO.	PART NUMBER	DESCRIPTION	QTY.
Do not scale from drawing.		Draw. ITAI	Drawing no.
Approved only with stamp		Checked: ITAI	ASC4307b
		Production: SHUKI	 AFIKIM ELECTRIC VEHICLES KIBUTZ AFIKIM 15148 ISRAEL TEL.: 972-4-6754814 FAX: 972-4-6751456 E-mail: mainbox@afiscooters.com Website: www.afiscooters.com
		Confirme: SHUKI	
		Part name:	
		TILLER FRAME ASSY C3/4 A3	
29-4-19		Tolerance.	Date
12-11-18	X	Linear [mm] ±0.2	Scale
Date.	Conf.	Angular [°] ±0.5°	Page: 1
	Update:		Cat. No.
			12-11-18
			1:10
			Of: 1
			ASC4307

⚠ CHANGE THE HANDS GRIP

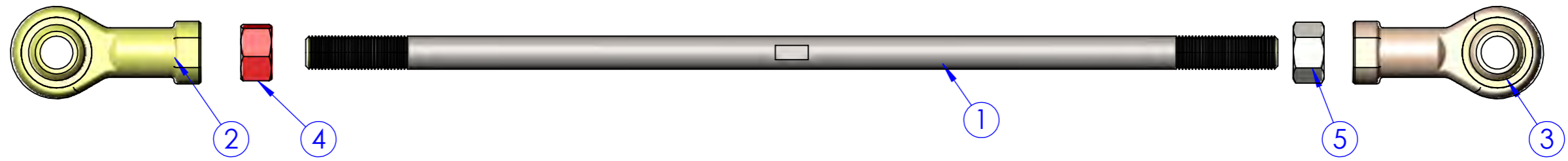


**CHANGE THE GRIP PU SHAPE  
BACK TO ORIGINAL DESIGN**

7	SHC4102	GRIP PU C3/4	2
6	SC00008	SCREW CONE ELLEN GALV. M6*30	2
5	SC00375-NUT BLIND RIVET KNURLED SHAFT M5	NUT BLIND RIVET KNURLED SHAFT M5	4
4	9010181-NUT NYLOCK M6	NUT NYLOC M6 F/WH. HUB GALV.	2
3	MPC4106	TILLER TOP PLATE C3/4	1
2	MPC4108	TILLER HANDS BAR C3/4	1
1	SC00019	SCREW CONE ELLEN GALV. M5*16	4


ITEM NO.	PART NUMBER	DESCRIPTION	QTY.
Do not scale from drawing.		Draw. ITAI	Drawing no.
Approved only with stamp		Checked: MOSHE	ASC4306b
		Production: SHUKI	 AFIKIM ELECTRIC VEHICLES KIBUTZ AFIKIM 15148 ISRAEL TEL. 972-4-6754814 FAX: 972-4-6751456 E-mail: mainbox@afiscooters.com Website: www.afiscooters.com
		Confirme: SHUKI	
		Tolerance.	Part name:
		Linear [mm]	TILLER TOP PLATE ASSY C3/4
		Angular [°]	A3
29-4-19		±0.2	Date
12-11-18	X		Scale
Date.	Conf.	Update.	Page: 1
			Cat. No.
			12-11-18
			1:5
			Of: 1
			ASC4306

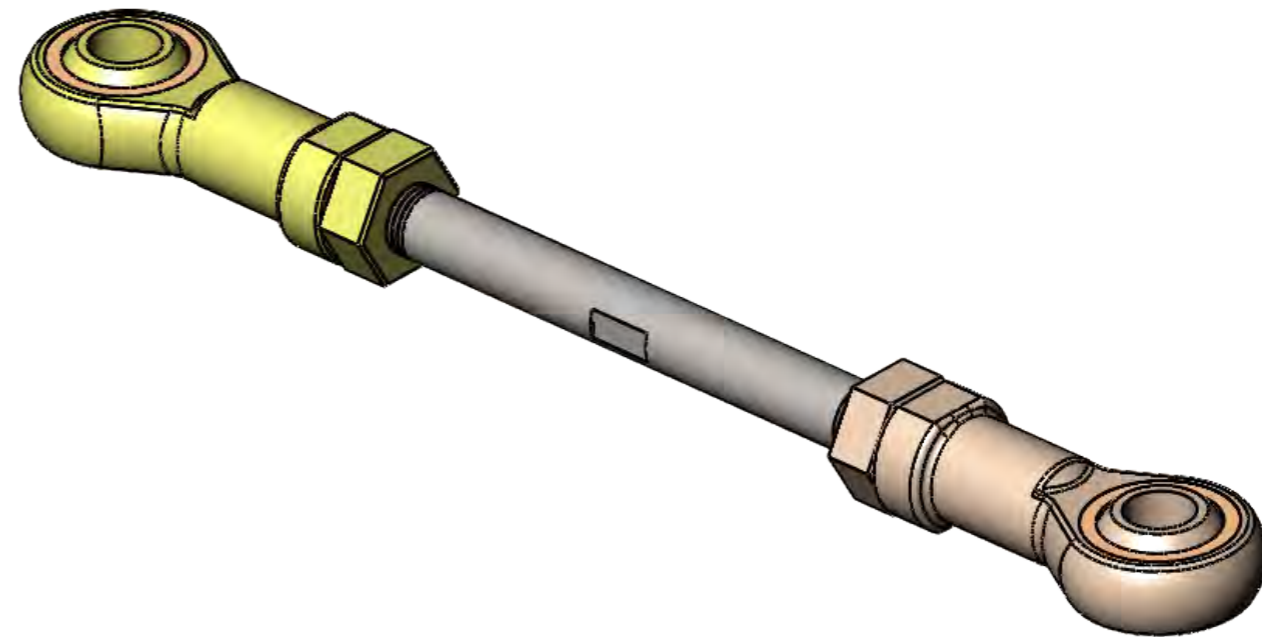
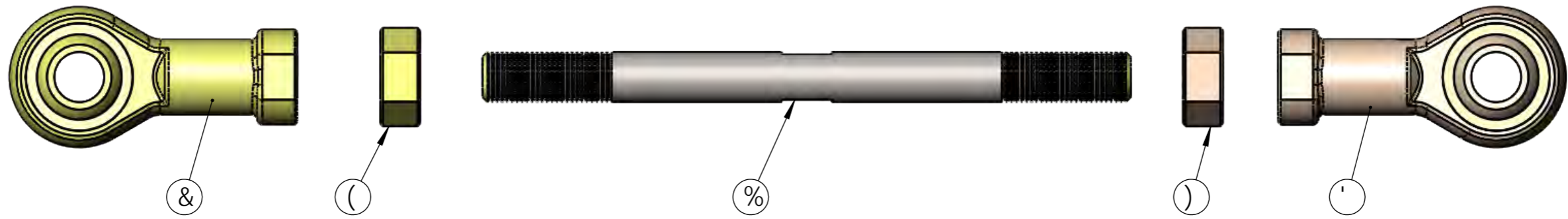




5	1	NUT GALV. M10x1.25	SC00424	
4	1	NUT M10*1.25 LEFT THREAD GALV.	SC00425	
3	1	RIGHT ROD END FOR STEERING AFIS. C4	SHC4007	
2	1	LEFT ROD END FOR STEERING AFIS. C4	SHC4008	
1	1	SHORT STEERING ROD M10X1.25 AFIS. C4	MPC4067	MPC4067*
ITEM	QTY	NAME	PART/NO	DRAW/NO

△ CHANGE TO AFISCOOTER

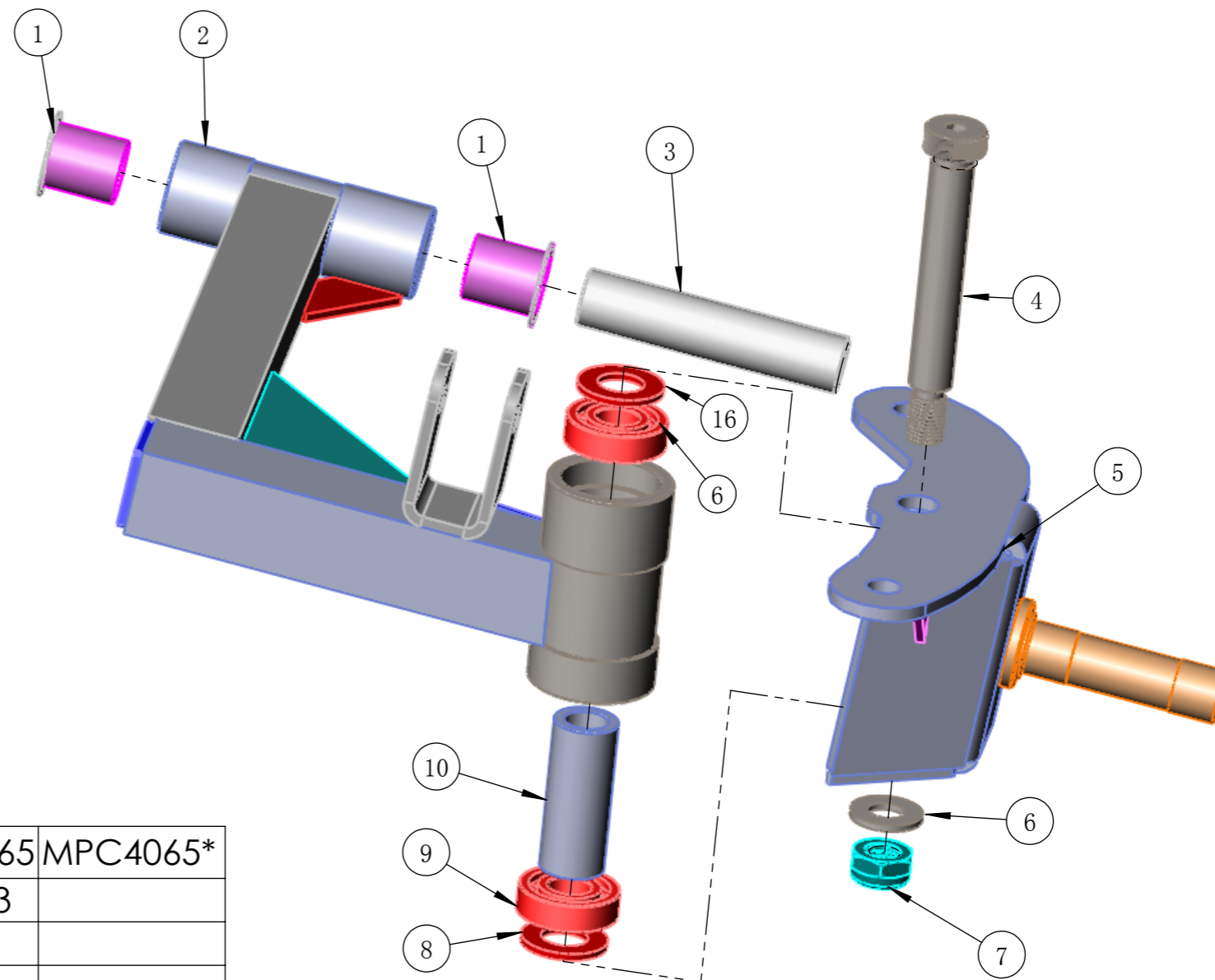
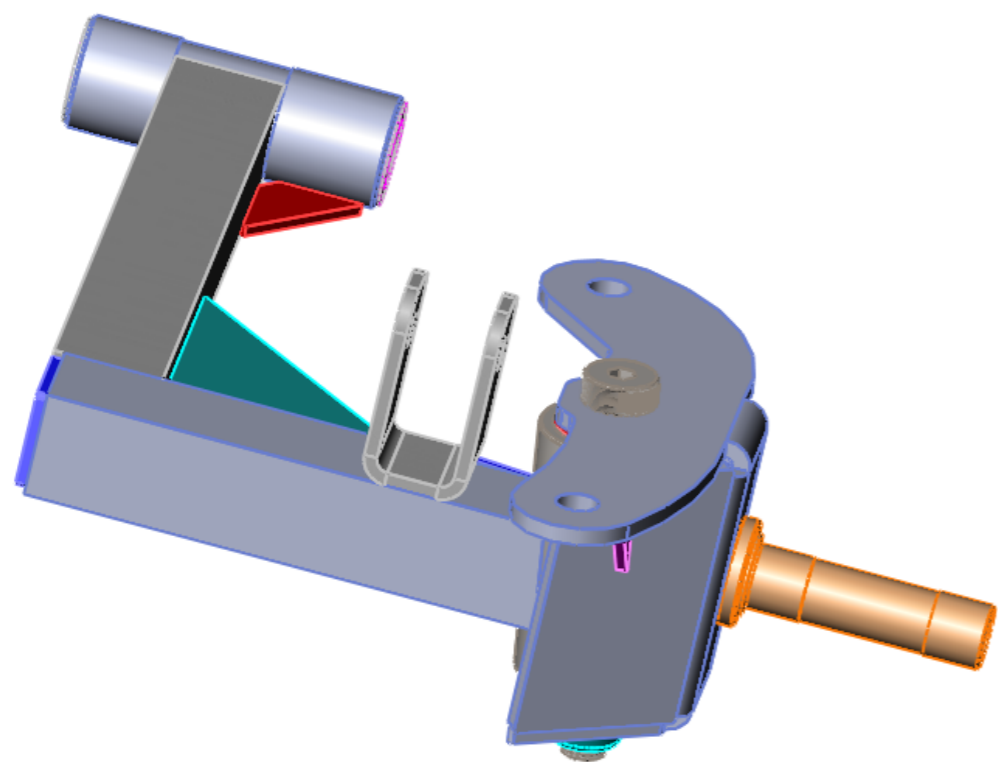
DO not scale from drawing approved only with stamp	Draw. Checked: Production: Confirme:	Part name: <b>STEERING BAR LONG AFISCOOTER C4 ASSY</b>	Drawing no. ASC4037b	 AFIKIM ELECTRIC MOBILIZERS KIBUTZ AFIKIM 15148 ISRAEL TEL.: 972-4-6754814 FAX: 972-4-6751456 E-mail: mainbox@afiscooters.com Website: www.afiscooters.com
13-1-15 EC14-25 25-10-10	tolerance. linear angular ±0.3 ±1°	Date: 25-10-10	Scale:	



)	%	BI HA %\$! %&) F ÷ <HHkF95 8	G7 \$\$(&	
(	%	BI HA %\$! %&) @: HHkF95 8	G7 \$\$(&	
'	%	F ÷ <HFC 8 '9B 8 : C F 'GH99F ß; '5: €"7 (	G<7 ( \$\$+	
&	%	@: HFC 8 '9B 8 : C F 'GH99F ß; '6FN"7 (	G<7 ( \$\$,	
%	%	G<C FHGH99F ß; 'FC 8 'A %\$L%&) '6FN7 (	A D7 (\$*,	A D7 (\$*, †
#DA	E HM	<b>B5A 9</b>	<b>D5FH#BC "</b>	<b>8F5K #BC</b>

△ 7 <5B; 9'HC '5: €7 C C H9F

8C bch gW'Y Z'ca 'X'Uk] b]	8'Uk"	Df'h' bUaY.	8f'Uk] b[ 'bc"	5: -? -A 9@97HF=7'AC6-@N9FG ?-61 HN5: -? -A %%%, =GF59@ H@- +8(!*+) (. %: 5L. -+8(!*+) %)* 9/a U'. 'a U]bVcl 4 UZgWcHfgWa K Wg]V' kkk'UZgWcHfgWa	
Uddf'cj YX'cb' m'kj h\`ghLad	7^WYXX	GH99F ß; '65 F 'G<C FH	5G7 (\$' , V		
	D'cX W]j'cb	5: €7 C C H9F '7 ( '5GGM			
	7cbZ]faY.				
		8UhY.	GW'Y.	dU'Y. %	
% !%&)	97 %(!&)			%	
& !%&)	△			G'Y'h' Zcf aUh .	
8UhY"	7cbZ'	I dLUhY.	±S"	±%*	5'
				& !%\$!%\$	7Uh" Bc" 5G7 (\$' ,



10	1	FRONT TRAIL ARM SLEEVE AFISCOOTER C4	MPC4065	MPC4065*
9	2	BALL BEARING 6001DDU AFISCOOTER C4	BE00023	
8	2	WASHER M12		
7	1	NUT NYLOCK M10		
6	1	WASHER M10		
5	1	KING PIN LEFT AFISCOOTER C4	MPC4010	MPC4010*
4	1	SCREW M12		
3	1	FRONT TRAIL ARM SLEEVE AFISCOOTER C4	MPC4064	MPC4064*
2	1	STEERING ARM LEFT BREEZE C4	MPC4007	MPC4007*
1	1	IGUS GFM-1618-21 BREEZE C3/4	BEC4001	
<b>ITEM</b>	<b>QTY.</b>	<b>NAME</b>	<b>PART/NO</b>	<b>DRAW/NO</b>

CHANGE TO AFISCOOTER


DO not scale from drawing approved only with stamp	Draw. Checked: Production: Confirme:	Part name: TRAIL-L-KING PIN AFISCOOTER C3/4 SERVICE ASSY	Drawing no. ASC4101b	 AFIKIM ELECTRIC MOBILIZERS KIBUTZ AFIKIM 15148 ISRAEL TEL: 972-4-6754814 FAX: 972-4-6751456 E-mail: mainbox@afiscooters.com Website: www.afiscooters.com
15-7-15 14-11-10	EC14-25 a	tolerance. linear angular Date. Conf. Update: ±0.3 ±1°	Date: Scale:	





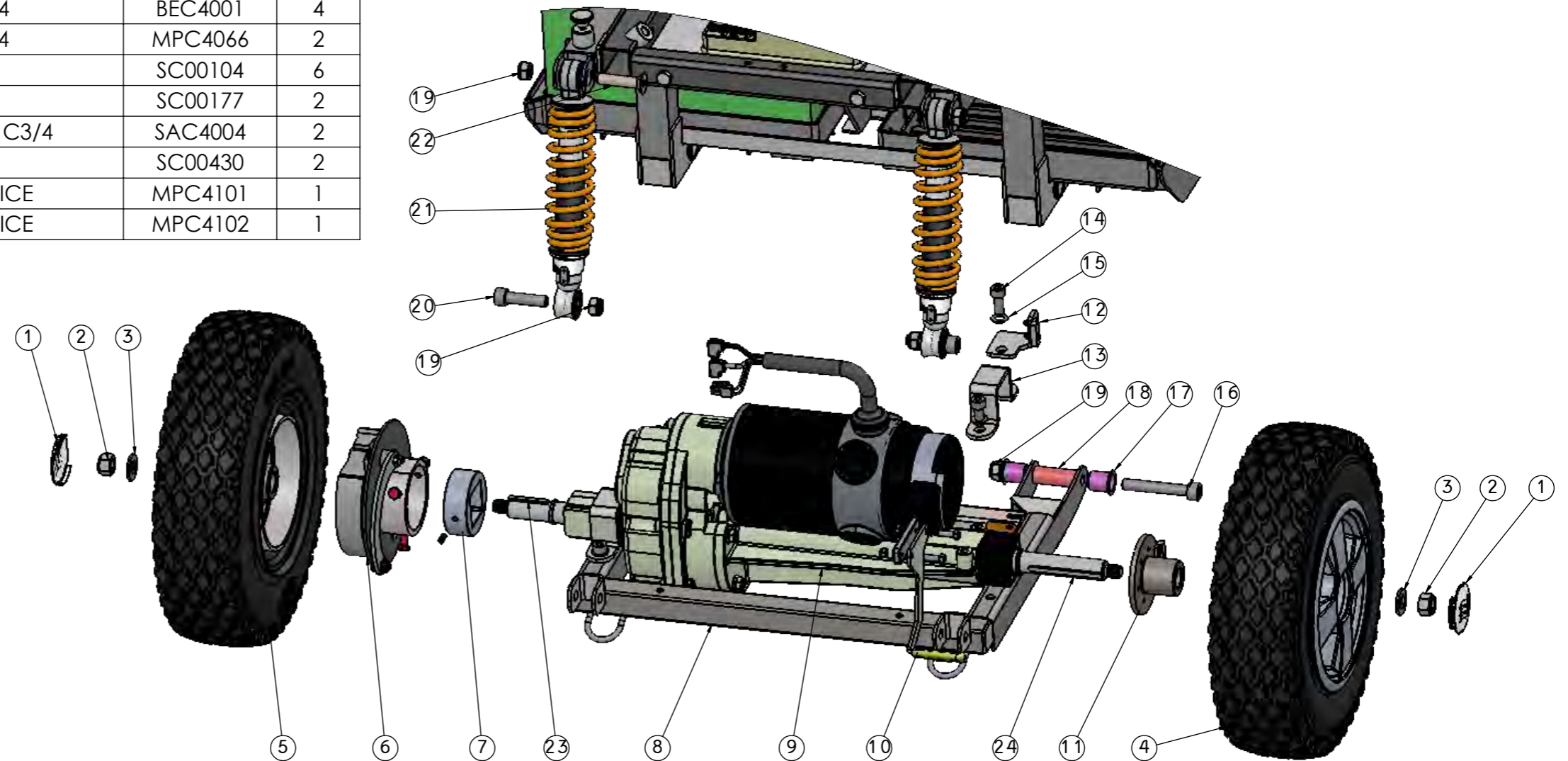
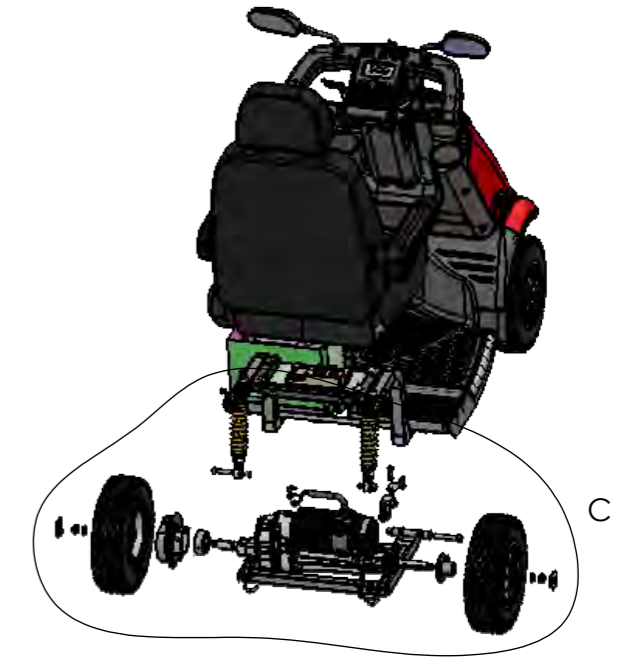
10	SC00104	NUT NYLOCK M10	4
9	WA00072	FLAT WASHER M10	4
8	11278	Dekk foran og bak	1
7	12067	Slange 4.10/3.50-6	1
6	SC00323	SCREW H-R GALV. M10x25	4
5	MPC4055	FRONT WHEEL INNER SPACER	1
4	BE00021	ball bearing 6202DDU	2
3	MPC4072	FRONT WHEEL HUB	1
2	SHC4035	STEEL RIM	1
1	11276	Felg foran	1
ITEM NO.	PART NUMBER	DESCRIPTION	QTY.




Do not scale from drawing.			Draw.	ITAI	Drawing no.	 AFIKIM ELECTRIC VEHICLES KIBUTZ AFIKIM 15148 ISRAEL TEL: 972-4-6754814 FAX: 972-4-6751456 E-mail: mainbox@afiscooters.com Website: www.afiscooters.com			
Approved only with stamp			Checked:	ITAI					
		e	Production:	SHUKI	ASC4332a	Part name:			
		d	Confirme:	SHUKI					
		c	Tolerance.		FRONT WHEEL ASSY AFISCOOTER C4				
		b	Linear	Angular					
26-02-19	x	a	±0.3	±1°	Date	Scale	Page: 1	Cat. No.	
Date.	Conf.	Update.			20-2-18		Of: 1	ASC4332	

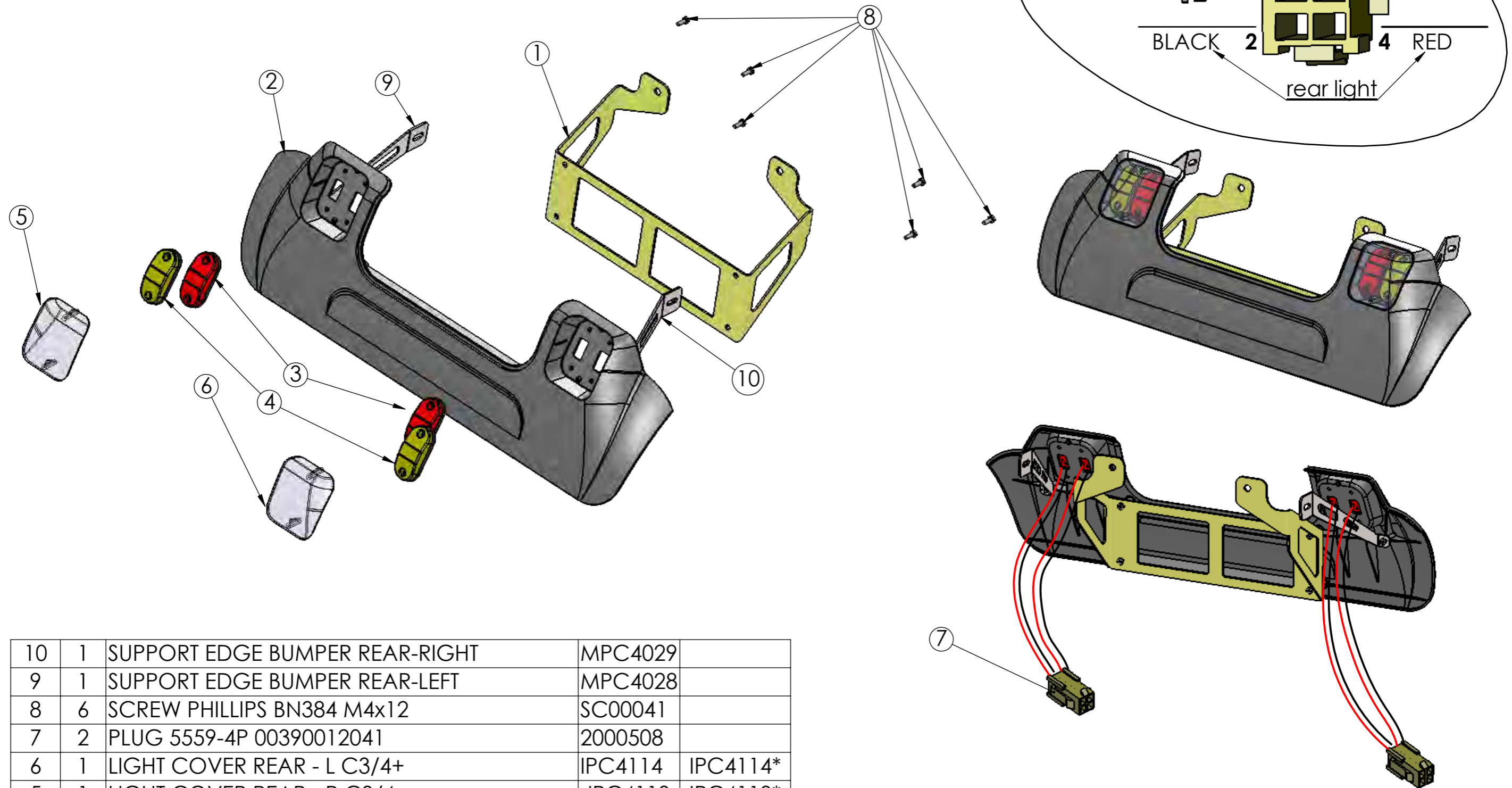
ITEM	NAME	PART NO	QTY
1	PLUG PLAS. REAR WHEEL AFISCOOTER	IPBR017	2
2	NUT NYLOCK M12x1.5 GALV.DIN 985	SC00431	2
3	WASHER GALV. M12*2.5	WA00063	2
4	RIGHT REAR WHEEL ASSY AFISCOOTER C3/4 V.1.9	ASC4331	1
5	LEFT REAR WHEEL ASSY AFISCOOTER C3/4 V.1.9	ASC4330	1
6	BRAKE REAR AFISCOOTER S4 ASSY.	ACS4030	1
7	ALUMINUM ADAPTOR FOR REAR BRAKE AFISCOOTER C3/4	MPC4133	1
8	REAR SUSPENSION POWER UNIT AFISCOOTER C3/4 ASSY	ASC4215	1
9	POWER UNIT	SEE TABLE	1
10	EMB LEVER AFISCOOTER C3/4 ASSY	ASC4031	1
11	HUB WITH SPEEDOMETER ASSY AFISCOOTER C4	ASC4334	1
12	SPEEDOMETER BRACKET ASSY AFISCOOTER C4 V.1.9	ASC4333	1
13	POWER UNITCLAMP. AFISCOOTER C3/4	MPC4020	2
14	SCREW R/H ALLEN M8*20 GALV.	SC00311	4
15	WASHER M8 16*1 GALV.	WA00005	4
16	HEXAGON SOCK.SCREW DIN 912 M10*65	SC00432	2
17	IGUS GFM-1618-21 AFISCOOTER C3/4	BEC4001	4
18	SLEEVE REAR TRAIL AFISCOOTER C3/4	MPC4066	2
19	NUT NYLOCK M10 GAL. DIN 985	SC00104	6
20	SCREW R/H M10*40	SC00177	2
21	NEW SHOCK ABSORB REAR AFISCOOTER C3/4	SAC4004	2
22	SCREW C/H M10*45 GLV. 07470	SC00430	2
23	KEY 5*5*45 POWER UNIT BRZ C3/4 SERVICE	MPC4101	1
24	KEY 5*5*70 POWER UNIT BRZ C3/4 SERVICE	MPC4102	1

POWER UNIT		
ITEM	NAME	PART NO
1	POWER UNIT 950W 12 KPH AFISCOOTER C 3/4	PWC4001
2	POWER UNIT 950W 15 KPH AFISCOOTER C 3/4	PWC4003



DETAIL C  
SCALE 1 : 5

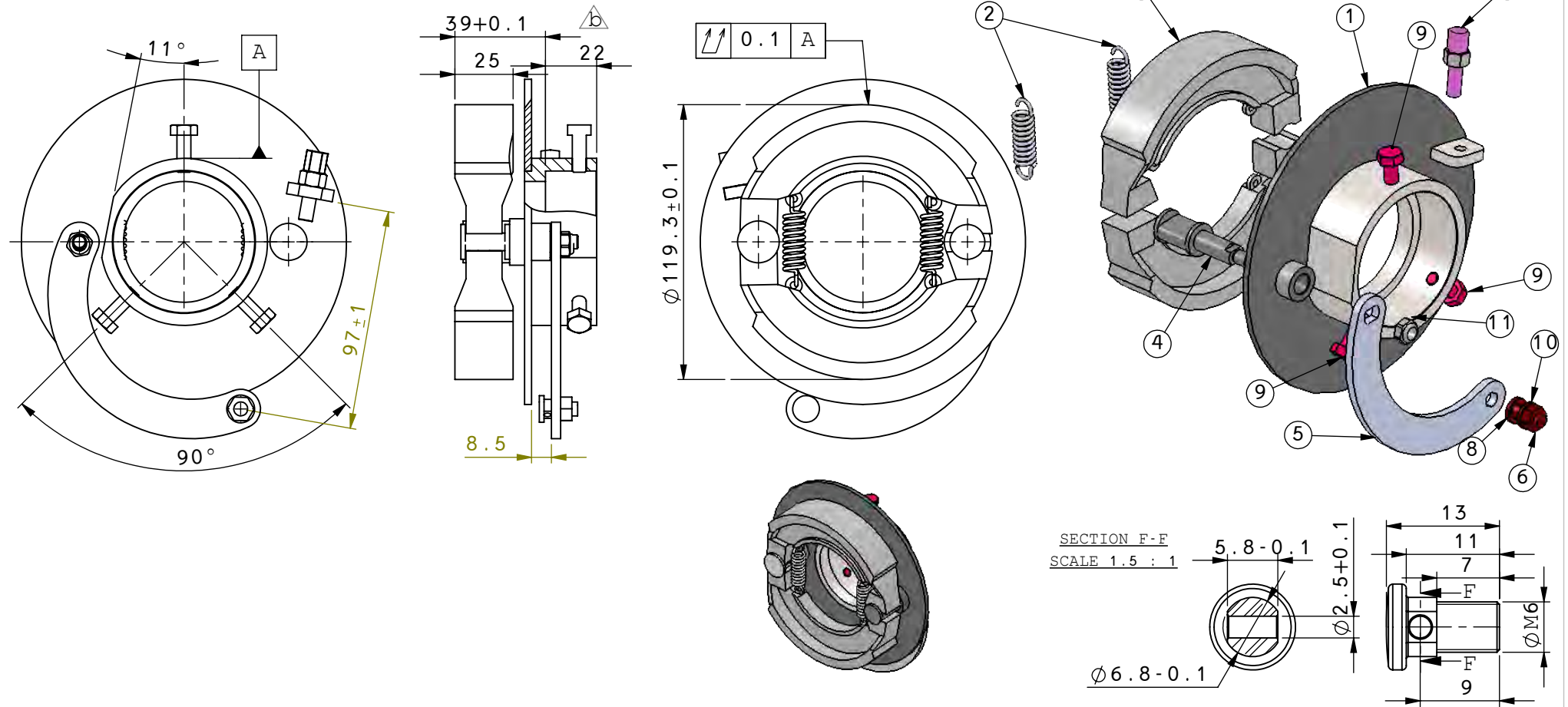
Page: 3	Date	Scale	General Tolerance			Drawing no.	Cat. No.	Part name:	 AFIKIM ELECTRIC VEHICLES KIBUTZ AFIKIM 15148 ISRAEL TEL: 972-4-6754814 FAX: 972-4-6751456 E-mail: mainbox@afiscooters.com Website: www.afiscooters.com
Of: 4	29-10-19	X	holes dia. ±0.3	linear ±0.1	angular ±1°	TDC4001-3	TDC4001	REAR EXPLODE	



ITEM	QTY	NAME	PART/NO	DRAW/NO
10	1	SUPPORT EDGE BUMPER REAR-RIGHT	MPC4029	
9	1	SUPPORT EDGE BUMPER REAR-LEFT	MPC4028	
8	6	SCREW PHILLIPS BN384 M4x12	SC00041	
7	2	PLUG 5559-4P 00390012041	2000508	
6	1	LIGHT COVER REAR - L C3/4+	IPC4114	IPC4114*
5	1	LIGHT COVER REAR - R C3/4+	IPC4113	IPC4113*
4	2	REAR BLINKER LED AMBER 3130 12V	LD00010	
3	2	REAR BRAKE LED 3130 RED 3130 12V	LD00009	
2	1	REAR PLASTIC COVER C3/4+	IPC4100	IPC4100*
1	1	REAR BUMPER BRACKET	MPC4139	

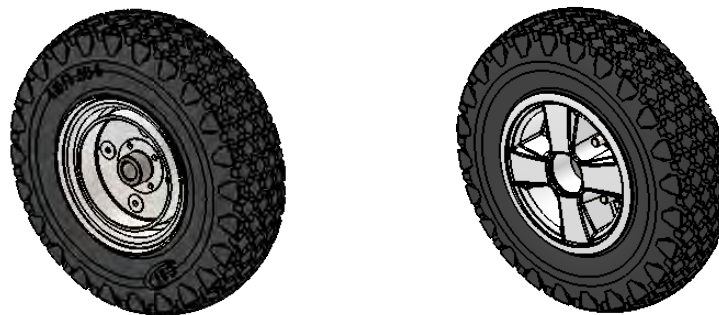
DO not scale from drawing approved only with stamp	Draw. Checked: Production: Confirme:	Part name: REAR BAMPER AFISCOOTER AFISCOOTER C3/4+ ASSY BLACK	Drawing no. ASC4136a	 KIBUTZ AFIKIM 15148 ISRAEL TEL: 972-4-6754814 FAX: 972-4-6751456 E-mail: mainbox@afiscooters.com Website: www.afiscooters.com
4-3-18 Date.	Conf. Update:	Date: 4-3-18	Scale:	






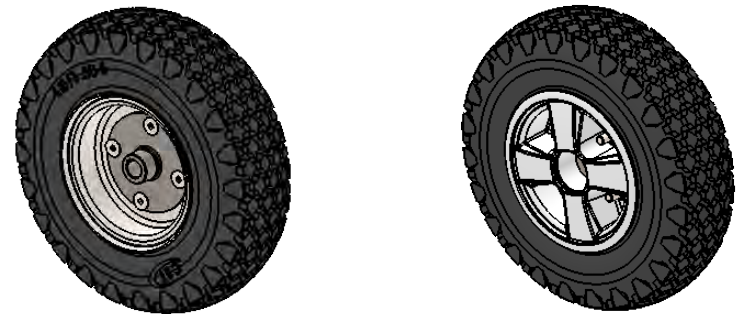
11	1	NUT NYLOCK M6 F/WH.HUB GALV.	9010181	
10	1	SPRING WASHER 1/4"	9010061	
9	3	SCREW HEX. M6*16 GALV.BN56	9010397	
8	1	CLAMP BRK.WIRE M6 FRONT WHEEL	MPS4076	MPS4076*
7	1	ADJUST FOR BRAKE CABLE M6	ACBR002	
6	2	HEX NUT M6	9010180	
5	1	LEVER OPR.BRAK.SHOE	MP4W088	MP4W088*
4	1	SHAFT OPR.BRK.SHOE	MP4W013	MP4W013*
3	2	SHOE BRAK.RE.BRZ.4W	MP4W016	MP4W016*
2	2	SPRING SH.BRK.BRZ.4W	SP4W001	SP4W001*
1	1	BASE REAR BRK.BRZ.4W	MP4W015	MP4W015*
IITEM	QTY.	NAME	DRAW/NO	PART/NO

Do not scale from drawing.			Draw.	Michael	Drawing no.	ACS4030c	AFIKIM ELECTRIC MOBILIZERS KIBUTZ AFIKIM 15148 ISRAEL TEL. 972-4-6754814 FAX: 972-4-6751456 E-mail: mainbox@afiscooters.com Website: www.afiscooters.com	
Approved only with stamp			Checked:	IMoshe				
		e	Production:		Part name: BRAKE REAR ASSY. AFISCOOTER S, S4W 2017			
		d	Confirme:					
28-3-18	EC18-04	c	Tolerance.		Date	Scale	Page: 1	Cat. No.
19-7-17	EC17-20	b	Linear	Angular				
14-10-15		a			Date	Scale	Page: 1	Cat. No.
Date.	Conf.	Update.	±0.1	±1°				



8	SC00104	NUT NYLOCK M10	4
7	SC00321	HEX. SOCK. COUNTER. HEAD SCREW M10x30 GALV.	4
6	MPBR060	BRAKE DRUM	1
5	MPC4073	REAR HUB	1
4	SHC4035	STEEL RIM. BRZ C3/4	1
3	MPC4126	FRONT WHEEL RIM NEW AFIS. S4W & C	1
2	12067	Slange 4.10*3.50-6 90 DEG. VALVE	1
1	11278	Dekk 4.10/3.5-6 BLACK	1
ITEM NO.	PART NUMBER	DESCRIPTION	QTY.

Do not scale from drawing.		Draw.	ITAI	Drawing no.	 AFIKIM ELECTRIC VEHICLES KIBUTZ AFIKIM 15148 ISRAEL TEL: 972-4-6754814 FAX: 972-4-6751456 E-mail: mainbox@afiscooters.com Website: www.afiscooters.com			
Approved only with stamp		Checked:	ITAI					
		Production:	SHUKI	ASC4330a	Part name: LEFT REAR WHEEL ASSY AFISCOOTER C3/4			
		Confirme:	SHUKI					
		Tolerance.		Date	Scale	Page: 1	Cat. No.	
		Linear	Angular	20-2-18		Of: 1	ASC4330	
26-02-19	x	±0.3	±1°					
Date.	Conf.	Update.						

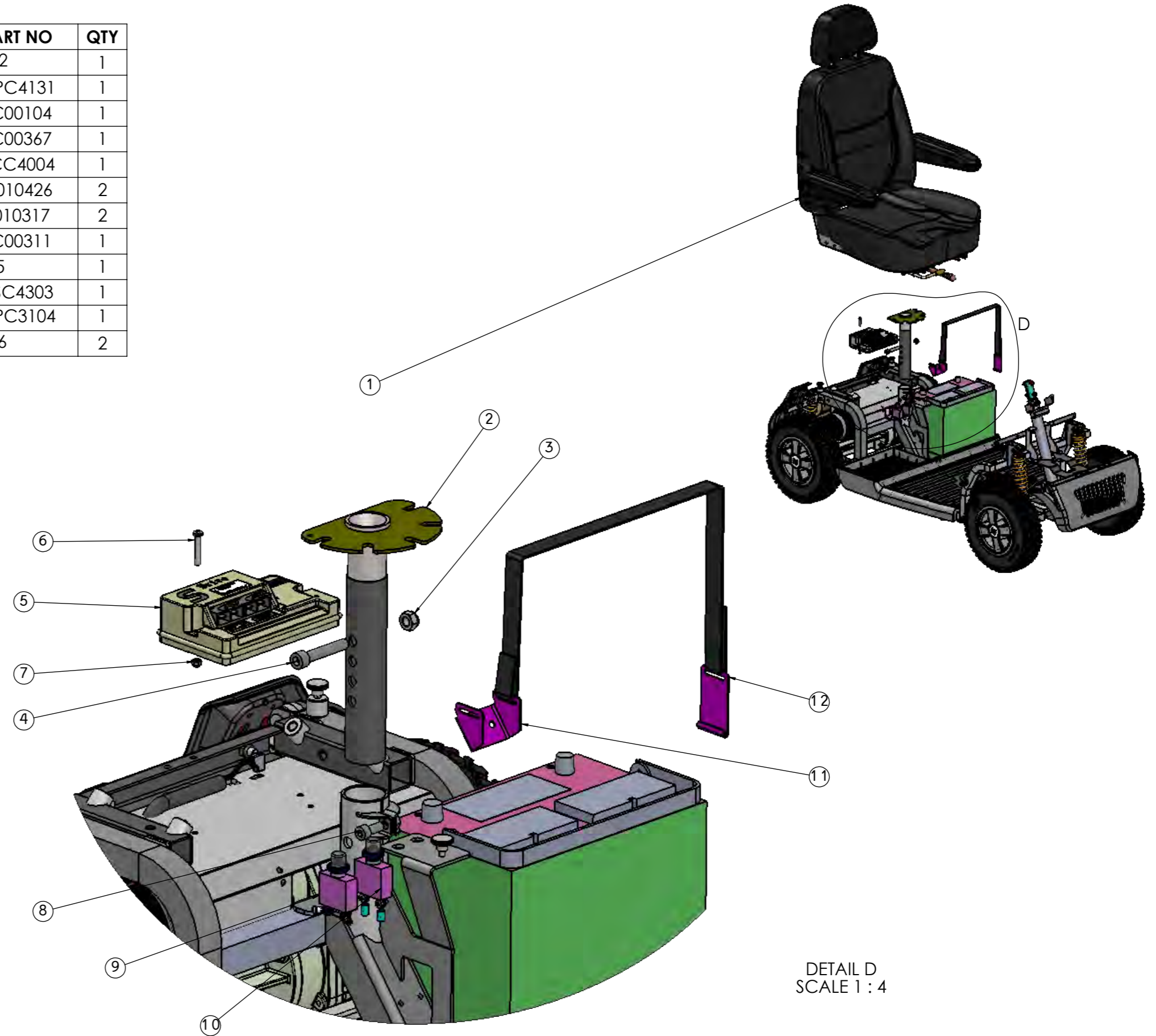


7	SC00104	NUT NYLOCK M10	4
6	SC00321	HEX. SOCK. COUNTER. HEAD SCREW M10x30 GALV.	4
5	MPC4073	REAR HUB	1
4	SHC4035	STEEL RIM. BRZ C3/4	1
3	MPC4126	FRONT WHEEL RIM NEW AFIS. S4W & C	1
2	12067	Slange 4.10*3.50-6 90 DEG.VALVE	1
1	11278	Dekk 4.10/3.5-6 BLACK	1
ITEM NO.	PART NUMBER	DESCRIPTION	QTY.


Do not scale from drawing.		Draw.	ITAI	Drawing no.	AFIKIM ELECTRIC VEHICLES KIBUTZ AFIKIM 15148 ISRAEL TEL: 972-4-6754814 FAX: 972-4-6751456 E-mail: mainbox@afiscooters.com Website: www.afiscooters.com
Approved only with stamp		Checked:	ITAI		
		Production:	SHUKI	ASC4331a	Part name: RIGHT REAR WHEEL ASSY AFISCOOTER C3/4
		Confirme:	SHUKI		
		Tolerance.		Date	Scale
		Linear	Angular		
26-02-19	x	±0.3	±1°	20-2-18	Page: 1
Date.	Conf.	Update.		Of: 1	Cat. No.
					ASC4331



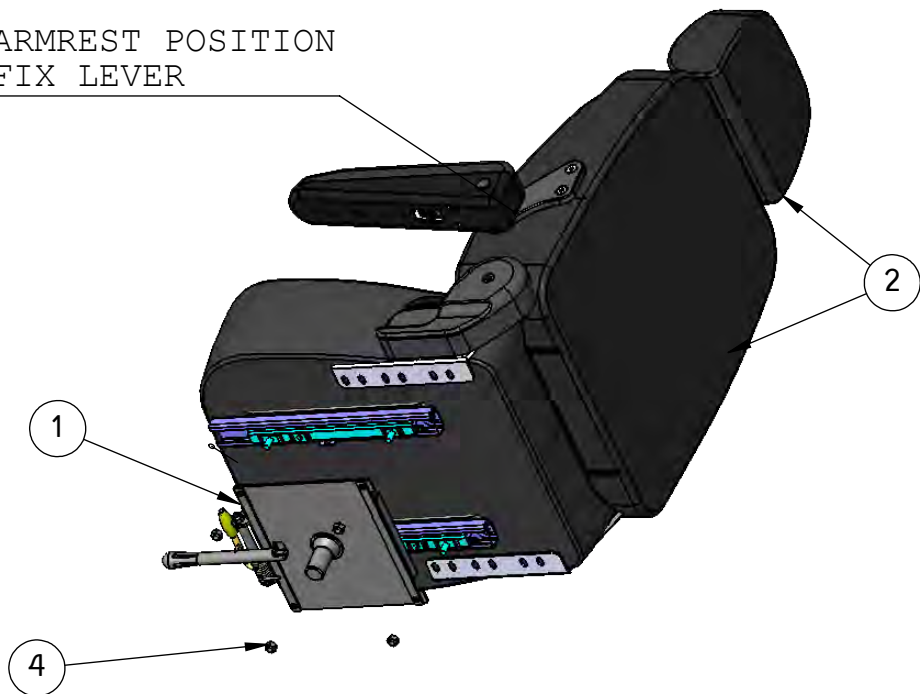
ITEM	NAME	PART NO	QTY
1	Sete C4 18" ROODIN ASSY	13112	1
2	SEAT PIN AFISCOOTER C4	MPC4131	1
3	NUT NYLOCK M10 GAL. DIN 985	SC00104	1
4	HEXAGON SOCK.SCREW DIN 912 M10*55	SC00367	1
5	CONTROLLER S DRIVE 120A BREEZE C3/4	PCC4004	1
6	SCREW PHIL. M5*30 GALV.	9010426	2
7	HEX.LOCKNUT M5	9010317	2
8	SCREW R/H ALLEN M8*20 GALV.	SC00311	1
9	Batterikabel med sikring	13445	1
10	HARNES MAIN CHARGE AFIS. C 3/4W ASSY-BIG BATTER	ASC4303	1
11	Holder center battery strap	MPC3104	1
12	Stroppe for batteri	13136	2



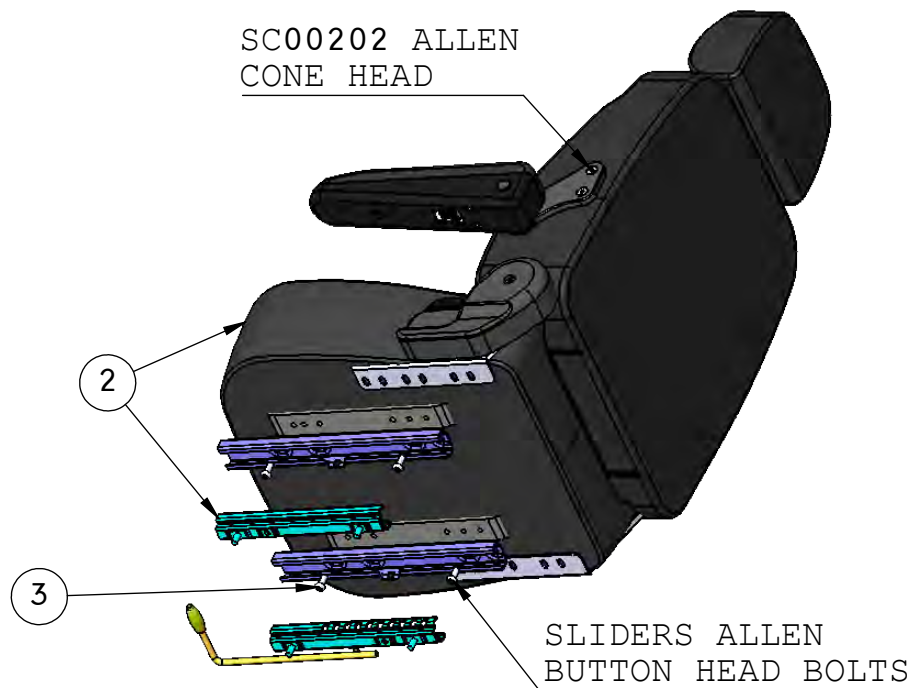
DETAIL D  
SCALE 1 : 4

Page: 4	Date	Scale	General Tolerance			Drawing no.	Cat. No.	Part name:	 AFIKIM ELECTRIC VEHICLES KIBUTZ AFIKIM 15148 ISRAEL TEL: 972-4-6754814 FAX: 972-4-6751456 E-mail: mainbox@afiscooters.com Website: www.afiscooters.com
Of: 4	29-10-19	X	holes dia. ±0.3	linear ±0.1	angular ±1°	TDC4001-4	TDC4001	SEAT EXPLODE	

ARMREST POSITION  
FIX LEVER



SC00202 ALLEN  
CONE HEAD




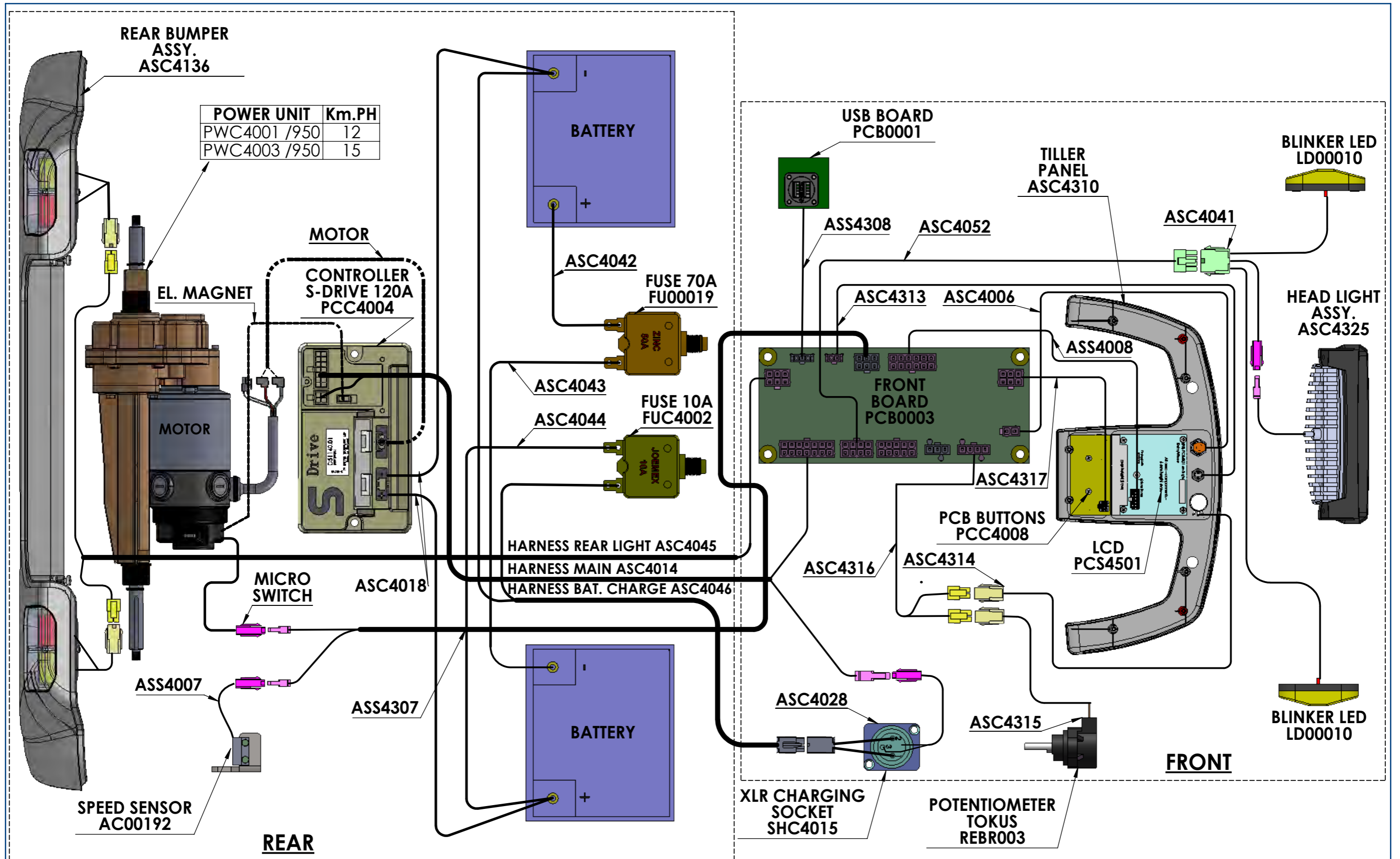
SLIDERS ALLEN  
BUTTON HEAD BOLTS


4	4	NUT NAYLOCK M8	SC00165
3	4	HEX.SOCK.BUTT.HE.SCR.M8*20 GALV	SC00271
2	1	SINGLE SEAT HIGH BACK 18" ROODIN	SEBR005
1	1	BASE SINGLE SEAT ROODIN	MPBR087
ITEM	QTY.	NAME	PART NO.

REMARKS :

1. ASSEMBLE SLIDERS TO SEAT WITH 4 ALLEN SCREWS.
2. ASSEMBLE SLIDERS TO SEAT BASE SECURE WITH 4 NUTS.
3. MAKE SURE OF SMOOTH MOVEMENT OF THE SLIDERS.

Do not scale from drawing.		Draw.	Michael	Drawing no.		 AFIKIM ELECTRIC MOBILIZERS KIBUTZ AFIKIM 15148 ISRAEL TEL: 972-4-6754814 FAX: 972-4-6751456 E-mail: mainbox@afiscooters.com Website: www.afiscooters.com			
Approved only with stamp		Checked:		ASC4337a					
		Production:		Part name:		SINGLE SEAT HIGH BACK 18" ROODIN ASSY			
		Confirme:		Tolerance.		Date	Scale	Page: 1	Cat. No.
		e		Linear	Angular	30-10-19		Of: 1	ASC4337
		d		±0.3	±1°				
		c							
		b							
		a							
30-10-19									
Date.	Conf.	Update.							



DO not scale from drawing approved only with stamp	Draw. Checked: Production: Confirme:	Part name: ELECTRONIC DRAW	Drawing no. TDC4001	 AFIKIM ELECTRIC MOBILIZERS KIBUTZ AFIKIM 15148 ISRAEL TEL: 972-4-6754814 FAX: 972-4-6751456 E-mail: mainbox@afiscoters.com Website: www.afiscoters.com
29-10-19	tolerance. linear angular ±0.3 ±1*	Date: 29-10-19	Scale:	