

# Deleliste Hepro HS-828

SPLITTEGNINGER

U1/23



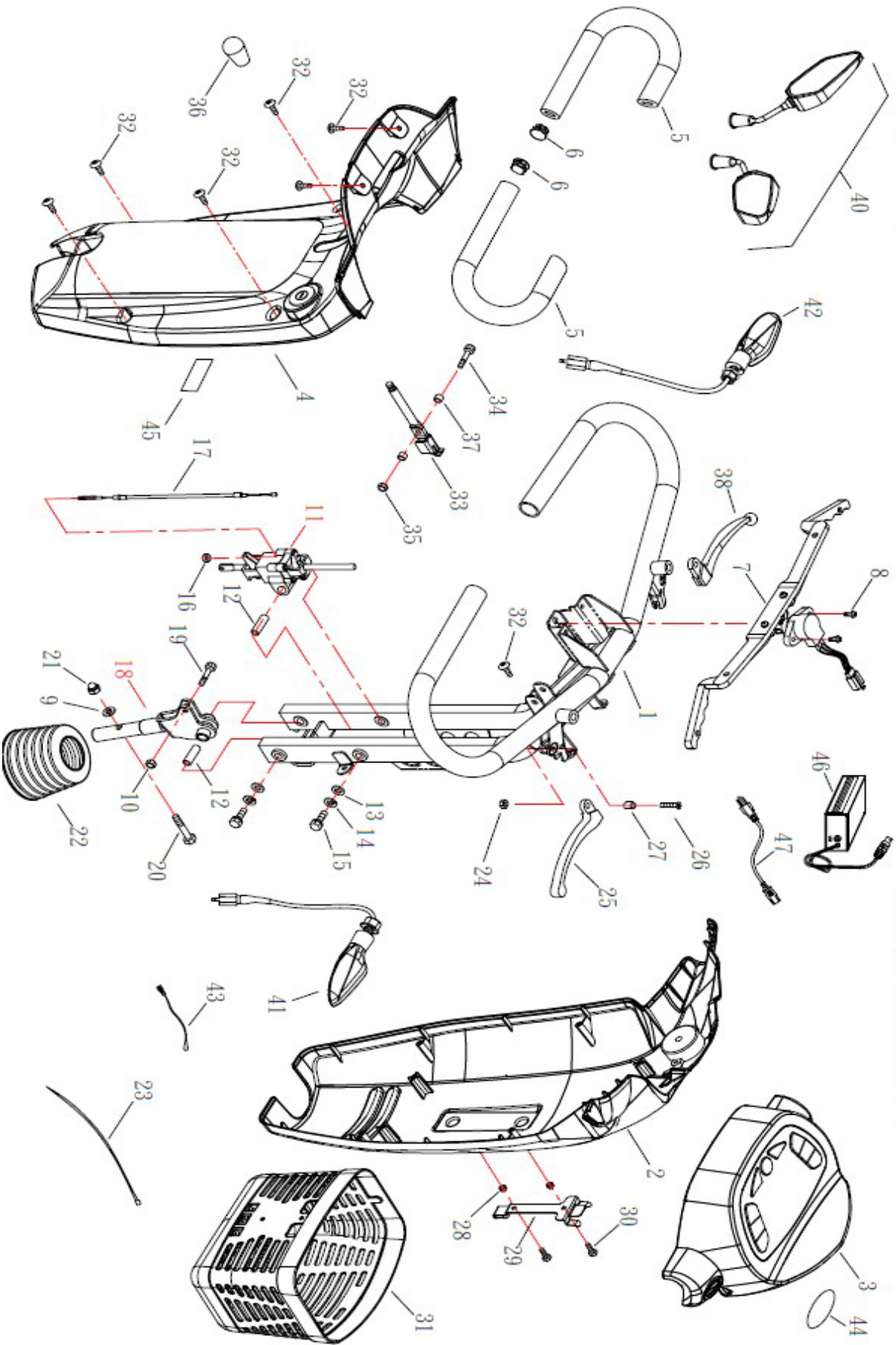




(FIG. 1) STEERING

修訂日期：2022.02.21

HS-828





## (FIG.1) STEERING

HS-828

NO	ITEM NUMBER	Hepro part	DESCRIPTION	QTY
1	521100-82801		STEERING COMP.	1
2	324120-89801	13728	Deksel, styre foran, komplett 828	1
3	324110-82801	13731	Deksel, topp styre foran, komplett 828	1
4	324130-82800	13734	Deksel, styre bak, A1 komplett	1
5	521221-82800		GRIP, HANDLEBAR	2
6	572101-73000	13211	Endeplugg til styre, 520/828	2
7	316300-52000	13212	Potensiometer med wig-wag, 520/828	1
8	522123-65800		BOLT (M4X16L)	2
9	505908-16003		WASHER	1
10	504500-06105		NYLON NUT	1

11	325300-89004	13214	Tiltmekanisme styre 520/828	1
12	525350-89002		COLLAR	2
13	505308-18003		PLANE WASHER	4
14	505108-15003		SPRING WASHER	4
15	502108-03073		BOLT (M8X30L)	4
16	504500-05083		NYLON NUT	1
17	525380-89000		CABLE COMP.	1
18	525120-65810	13204	Feste for styre, nedre 520/828	1
19	502406-03055		BOLT (M6X30L)	1
20	502108-03553		BOLT, JOINT (M8X35L)	1
21	504900-08133		NYLON NUT, CAP (M8)	1
22	525210-61500	13213	Gummimansjett styre 828/520	1
23	515190-85500		TIE, WIRE HARNESS	3
24	504500-05085		NYLON NUT	1
25	526120-68600	10951	Hendel mauell brems HS 740/828/520	1
26	501105-02005		BOLT, LEVER (M5X20L)	1
27	526131-68600		BUSH, LEVER	1
28	509006-07123		COLLER, BASKET	2
29	523210-52800	13200	Brakett for kurv 520/828	1
30	502306-01645		BOLT, BASKET	2
31	523110-82800	12597	Kurv foran til 828	1
32	503504-01605		SCREW ( $\phi 4 \times 16L$ )	10
33	525390-57501		LEVER HANDLE	1
34	502406-03055		BOLT (M6X30L)	1
35	504500-06105		NYLON NUT	1
36	525395-57501		HANDLE	1
37	509006-06101		COLLER	2

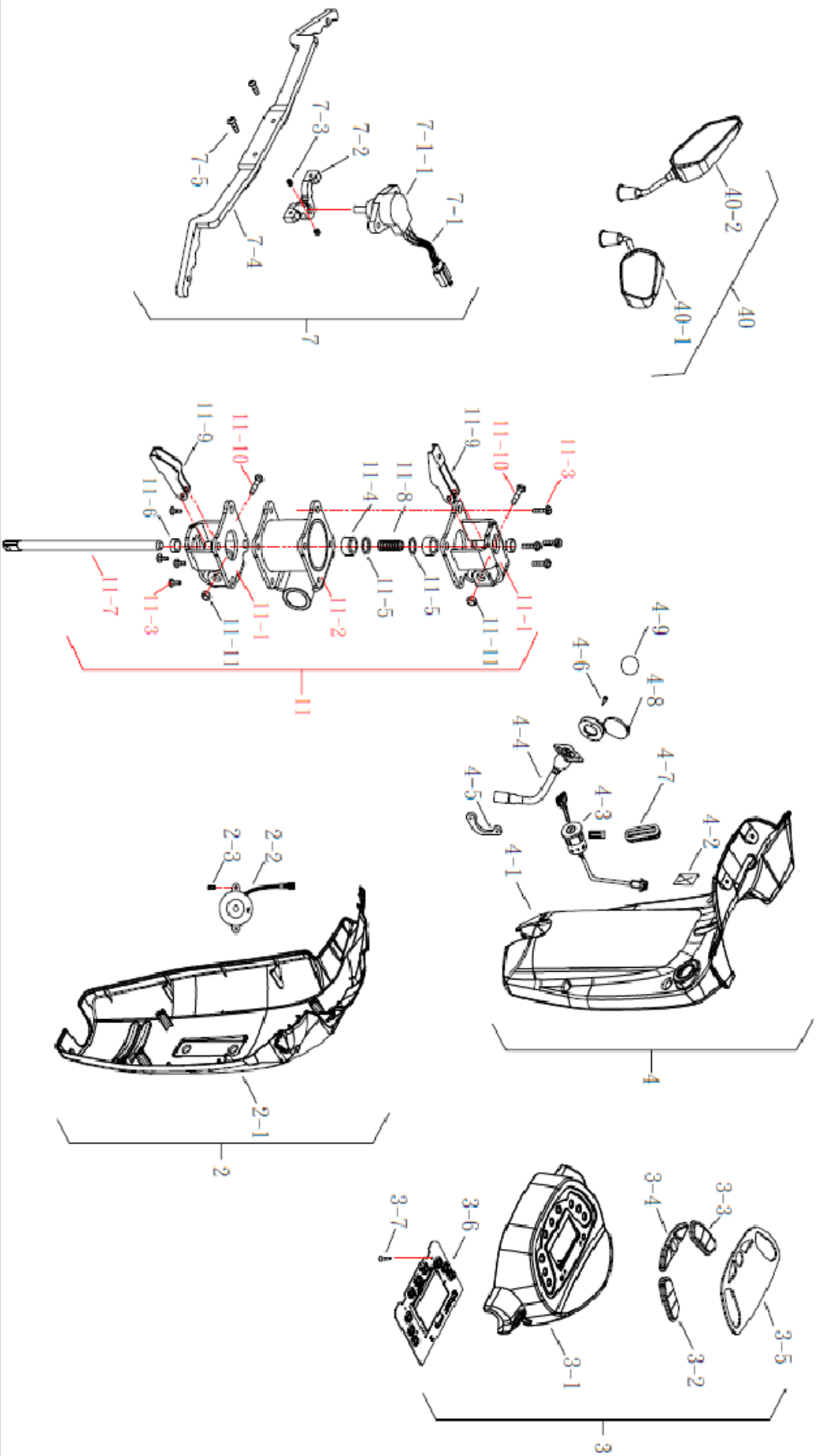
38	526320-68600		LEVER, BRAKE L	1
40	326200-82800	13740	Speil 828 par	1
41	518300-39800	13289	Blinklys foran høyre HS-520/828	1
42	518400-39800	13288	Blinklys foran venstre HS-520/828	1
43	515170-75801		TEMPERATURE SENSOR	1
44	582105-57001		STICKER LOGO	1
44	582401-82800		STICKER REAR BODY SIDE	1
44	582405-85501		FRONT STICKER	1
44	582405-52010		FRONT STICKER	1
44	582405-26510		FRONT BODY LOGO STICKER	1
44	582401-89000		MODEL STICKER-ST5D	1
44	582405-52030		FRONT STICKER	1
45	582130-52800		STICKER WARNING	1
45	582120-32000		STICKER WARNING	1
46		12908	Lader Victron Impulse 24/8 smart	1



(FIG. 1-1) STEERING

修訂日期：2022.02.21

HS-828







## (FIG.1-1) STEERING

NO	ITEM	Hepro part	DESCRIPTION	QT
2	324120-89801	13728	Deksel, styre foran, komplett 828	1
2-1	524120-89800		COVER, STEERING FRONT	1
2-2	515210-52000	10996	Horn HS 740/828	1
2-3	503203-01001		SCREW	2
3	324110-82801	13731	Deksel, topp styre foran, komplett 828	1
3-1	524110-82800		COVER, STEERING UPPER	1
3-2	519971-82800		RIGHT SILICONE KEYS	1
3-3	519973-82800		LEFT SILICONE KEYS	1
3-4	519972-82800		MIDDLE SILICONE KEYS	1
3-5	582107-82801		STICKER, CAP	1
3-6	517300-82800	10940	Frontkort display 828	1
3-7	503203-00801		SCREW (ψ3x8L)	4
4	324130-82800	13734	Deksel, styre bak, A1 komplett	1
4-1	524130-82800		COVER, STEERING REAR	1
4-2	582130-36000		WARN BAN TO HANG STICKER	1
4-3	516800-66600	13738	Tenningslås med nøkkel A1 HS-828	1

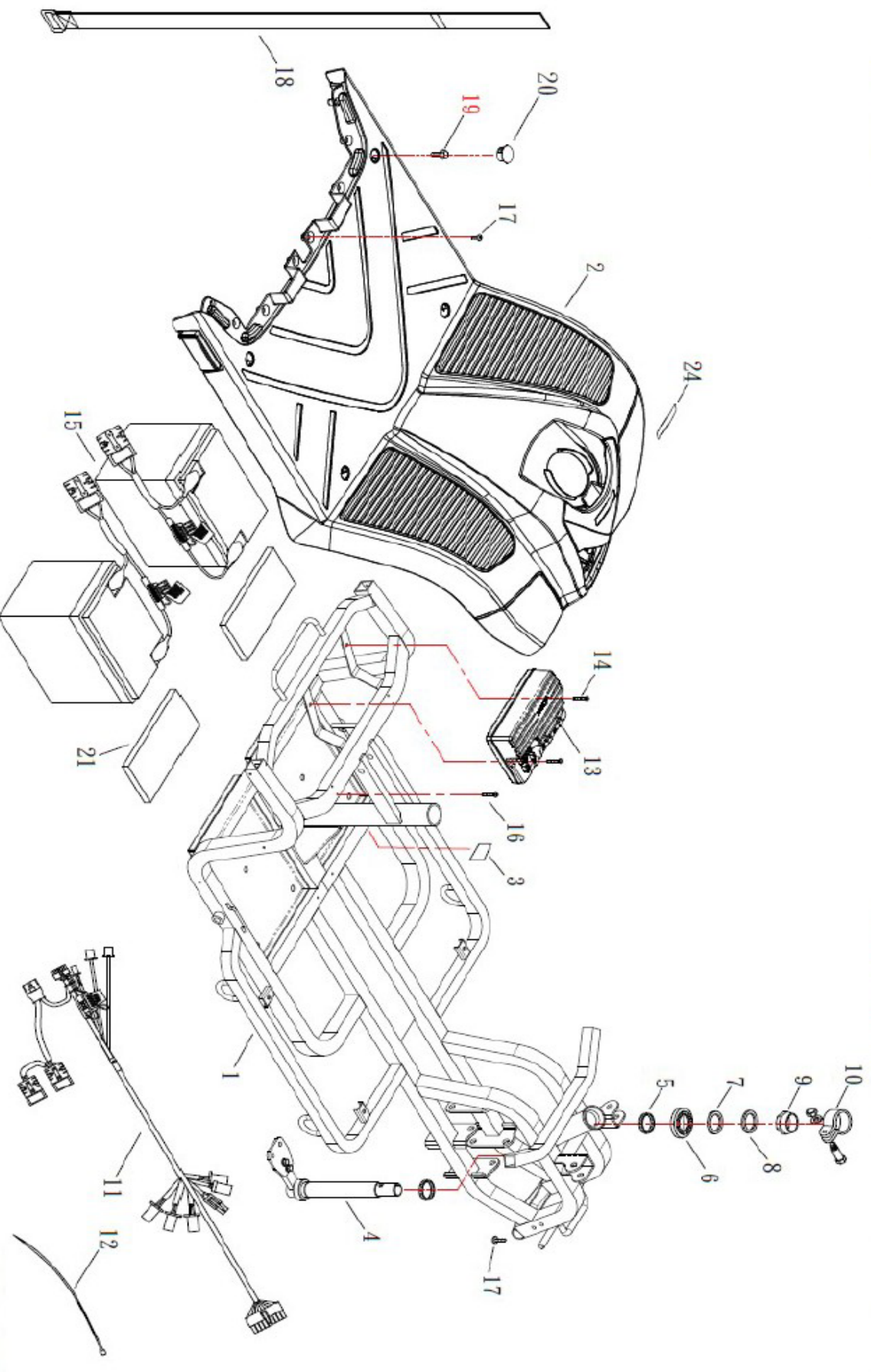
4-4	515400-61500	13736	Ladeplugg med kabel 828	1
4-5	515420-66600	10995	Plate til ladekontakt HS740/828	1
4-6	501102-01201		BOLT	2
4-7	542203-89000		PLUG	1
4-8	515440-72800		CHARGERS PROTECTIVE COVER	1
4-9	582419-62800		CHARGE COVER STICKER	1
7	316300-52000	13212	Potensiometer med wig-wag, 520/828	1
7-1	316750-58010			1
7-1-1	516105-58010		VARIABLE RESISTOR 5KΩ/45°	1
7-2	522110-58001		HOLDER	1
7-3	502804-00515		BOLT (M4X5L)	2
7-4	522120-58800		START LEVER	1
7-5	501304-01205		BOLT	2
11	325300-89004	13214	Tiltmekanisme styre 520/828	1
11-1	525311-89510		HOLDER, UPPER	2
11-2	525312-89510		HOLDER, LOWER	1
11-3	501404-01205		BOLT (M4X12L)	8
11-4	525320-89003		HOUSING, BALLS	2
11-5	525330-89001		BALL	20
11-6	509007-10163		BUSH	2
11-7	525370-89002		GUIDE	1
11-8	525155-89011		SPRING	1
11-9	525360-89000		ARM	2
40	326200-82800	13740	Speil 828 sett med 2 stk	1
40-1	526210-82800		BACK MIRROR R	1
40-2	526220-82800		BACK MIRROR L	1



(FIG. 2) FRONT FRAME

修訂日期：2020.10.23

HS-828  
RHINO2-120A



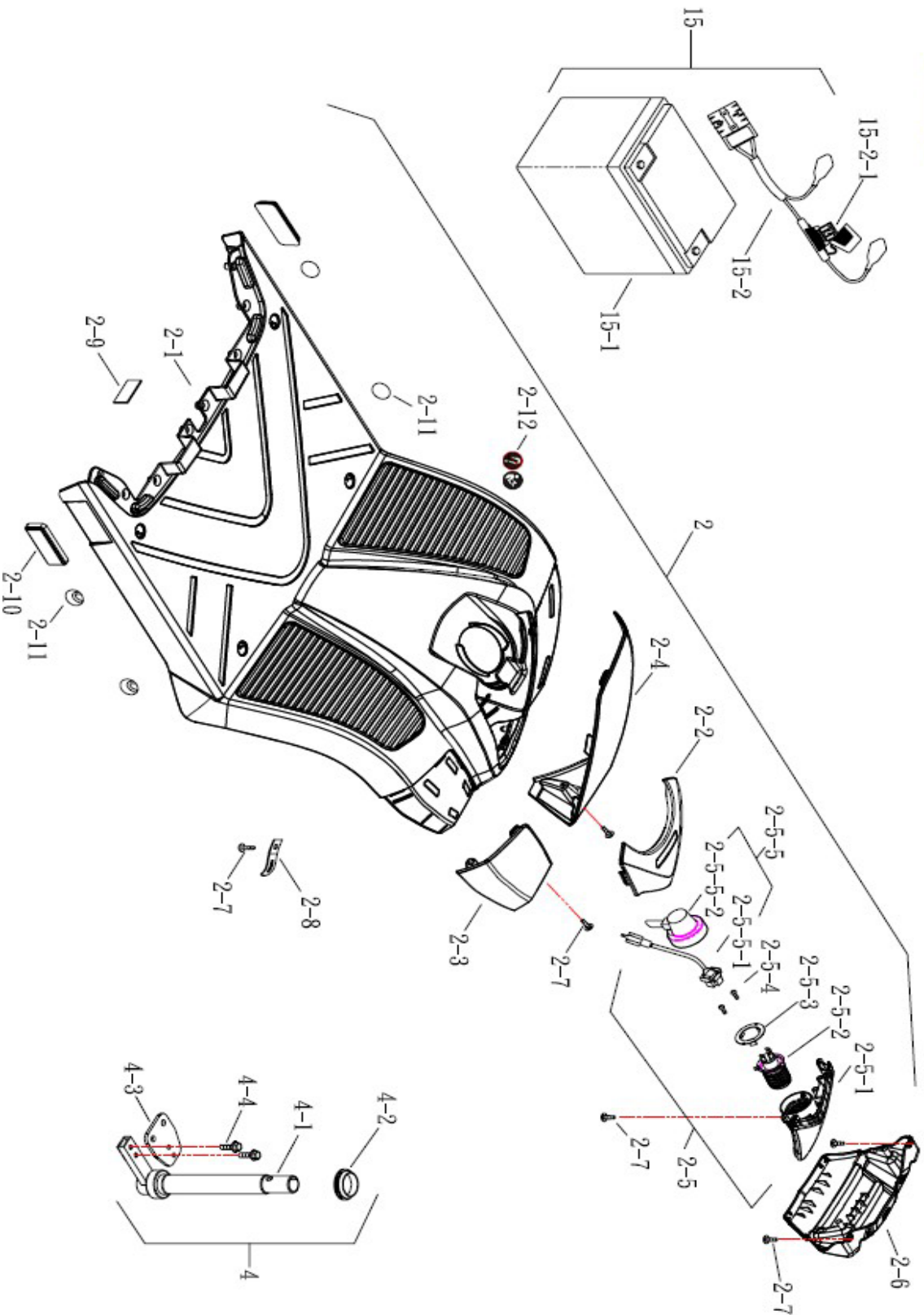


(FIG.2) FRONT FRAME

NO	ITEM NUMBER	Hepro part	DESCRIPTION	QTY
1	531100-82801		FRAME COMP., FRONT	1
2	332110-82803	12643	Frontdeksel, mørk HS-828	1
3	582405-52000		LOGO STICKER	1
3	582405-82800		FRONT STICKER	1
3	582405-29530		FRONT STICKER	1
4	336110-82800		BAR ASSEMBLY	1
5	536215-56000		BALLS SET	2
6	536213-56000		RACE, STEERING OUTER UPPER	1
7	536211-56000		WASHER TOOTH	1
8	536212-56000		HOLDER	1
9	536228-56010		NUT, STEERING STEM LOCK	1
10	526680-52800		PADLOCK	1
11	515000-82810		WIRE HARNESS	1
12	515190-85500		TIE, WIRE HARNESS	21
13	517100-89801	13775	CONTROLLER RHINO2-120A	1
14	501305-02505		BOLT	2
15	313250-82800		BATTERY ASSEMBLY 12V/50Ah	2
15	313275-82800		BATTERY ASSEMBLY 12V/75Ah	2
16	501103-02003		BOLT (M3X20L)	4
17	503504-01205		SCREW (ψ4x12L)	4
18	542220-72800		BAND, BATTERY COMP.	1
19	502306-01213		BOLT, SHROUD (M6X16L)	4
20	524115-39000		PLUG	4
21	513150-89800		SPONGE	2
22	585031-82800		WHITE REFLECTIVE STICKER R	1
23	585032-82800		WHITE REFLECTIVE STICKER L	1
24	IN-P31298		REELECTOR-Y E MARK	2



(FIG. 2-1) FRONT FRAME



HS-828

RHINO2/PG



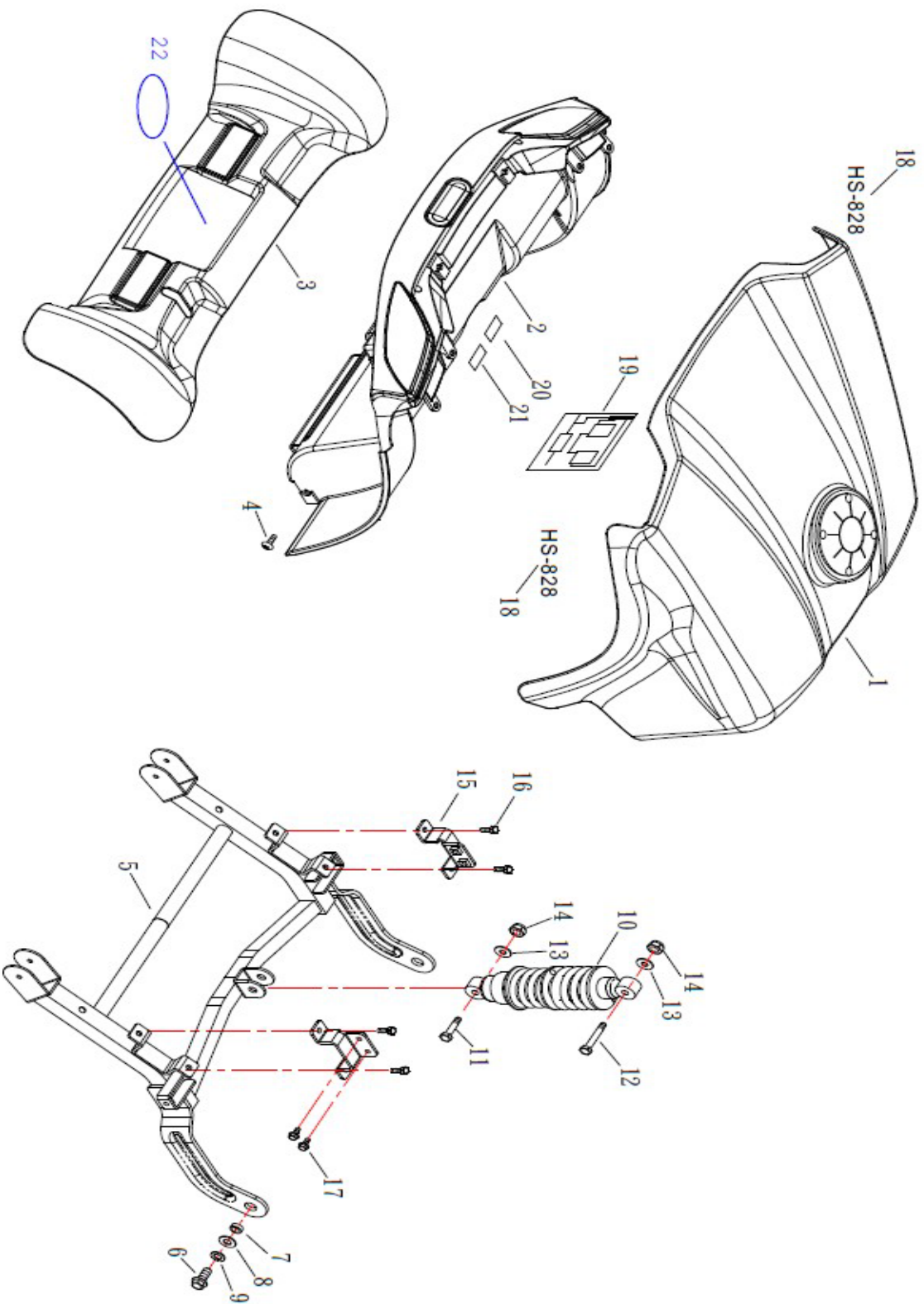
(FIG.2-1) FRONT FRAME

NO	ITEM NUMBER	Hepro nr	DESCRIPTION	QTY
2	332110-82803	12643	Frontdeksel, dørk HS-828, komplett	1
2-1	532110-82800	13752	Frontdeksel, dørk HS828	1
2-2	532470-82800	13754	Frontdeksel sort HS-828	1
2-3	532170-82800	12635	Deksel front H. Skjerm 828	1
2-4	532180-82800	12636	Deksel front V. Skjerm 828	1
2-5	318100-82803	13760	Frontlykt komplett HS-828	1
2-5-1	518040-82800		HEADLAMP SHELL(DRL)	1
2-5-2	518030-52002	13226	LED Pære Hovedlys HS-520/828	1
2-5-3	518110-52000		FIXED PLATE , HEADLAMP	1
2-5-4	503203-00801		SCREW (ψ3x8L)	2
2-5-5	315550-52001		WIRE, LAMP-I/O	1
2-5-5-1	515550-52000		WIRE, LAMP-I/O	1
2-5-5-2	518070-52001		COVER, HEADLAMP	1
2-6	535310-82800	13764	Frontdeksel støtfanger HS-828	1
2-7	503504-01205		SCREW (ψ4x12L)	7
2-8	563150-66600		CLAMP	1
2-9	542202-58010		VEL-CRO 50L	2
2-10	IN-P31298		REELECTOR-Y E MARK	2
2-11	582133-89800		CENTRAL ROUND STICKERS INDICATE	4
2-12	582133-52000		FIXATION HOOK WARNING LABEL	1
4	336110-82800	13765	Styrestamme HS-828	1
4-1	536110-82800		BAR COMP	1
4-2	536217-56000		RACE, LOWER	1
4-3	536120-65810		STAY, LINK	1
4-4	502306-02055		BOLT (M6X20L)	2
15	313250-82800		BATTERY ASSEMBLY	2
15-1	EA275-85500		BATTERY ASSEMBLY 12V/75Ah	1
15-2	515600-82800	13768	Batterikabel med koblinger 828	1
15-2-1	519670-89500	12642	Sikring (70Amp)	1



(FIG. 3) REAR FRAME

HS-828



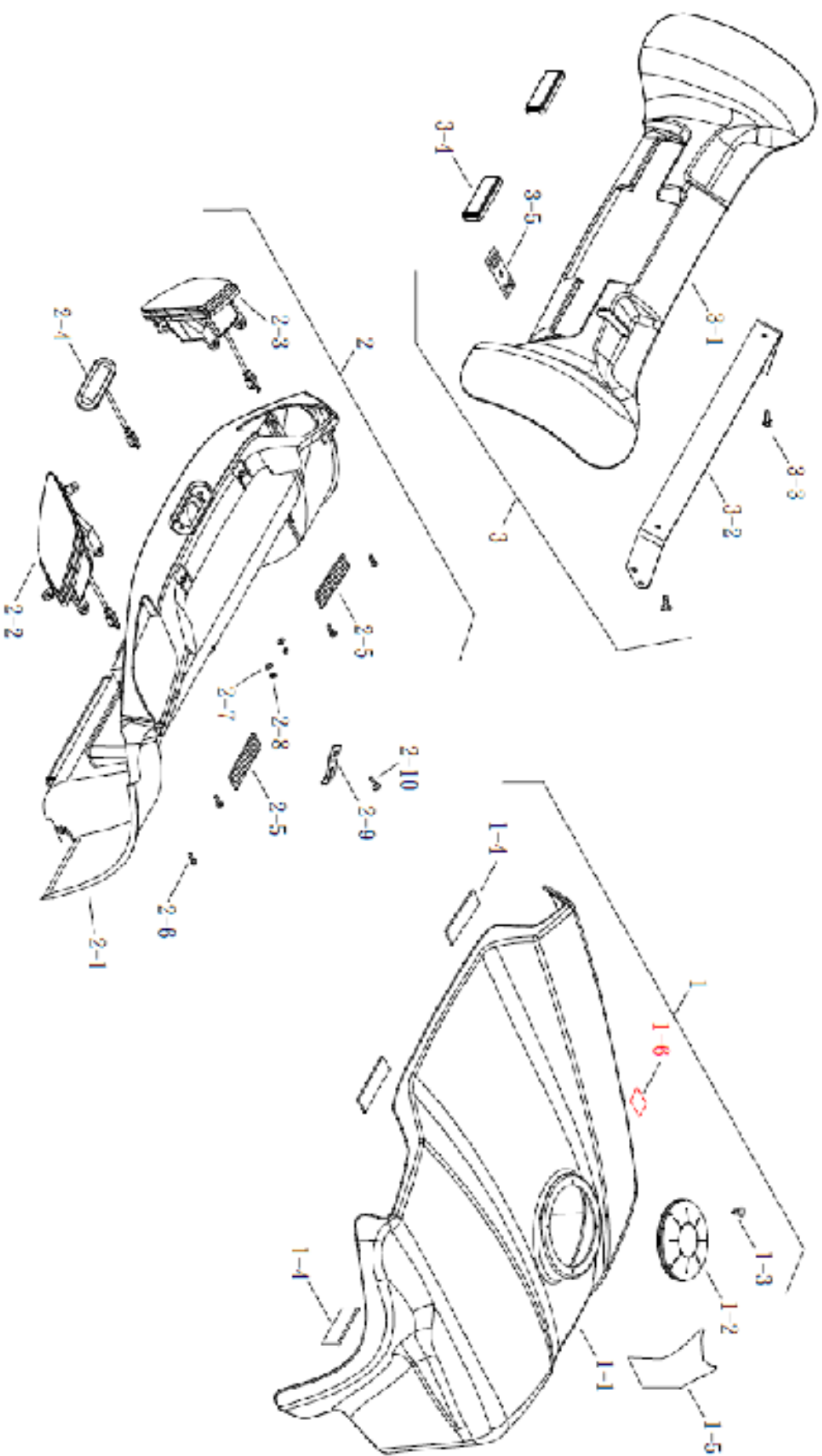


(FIG.3) REAR FRAME HS-828

NO	ITEM NUMBER	Hepro nr	DESCRIPTION	QTY
1	342100-82800	13774	Deksel bak, 828	1
2	345300-89802	13776	Deksel bak, 828, komplett	1
3	342150-89800	13784	Deksel bak, støtfanger 828	1
4	503504-01205		SCREW (ϕ4x12L)	6
5	541310-82800		BRACKET, SUSPENSION	1
6	502310-02555		BOLT (M10X25L)	2
7	509005-11155		COLLER	2
8	505310-22003		WASHER, FRONT AXLE	2
9	505110-18003		SPRING WASHER	2
10	541210-82800	13785	Støtdemper bak 828	1
11	502110-04573		BOLT (M10X45L)	1
12	502310-06053		BOLT (M10X60L)	1
13	505310-22003		PLANE WASHER	2
14	504500-10173		NYLON NUT	2
15	541120-89800		HOLDER, DIFFERENTIAL	2
16	502506-01673		BOLT (M6X16L)	4
17	502306-01213		BOLT (M6X12L)	4
18	582401-82800		STICKER REAR BODY SIDE	2
18	582401-82810		STICKER REAR BODY SIDE	2
18	582101-82800		STICKER REAR BODY SIDE	2
18	582401-82820		MODEL STICKERS	1
19	582424-52800		DECAL, DIAGRAM WIRE	1
22	582421-26510		REAR BODY LOGO STICKER	1



(FIG. 3-1) REAR FRAME







(FIG.3-1) REAR FRAME

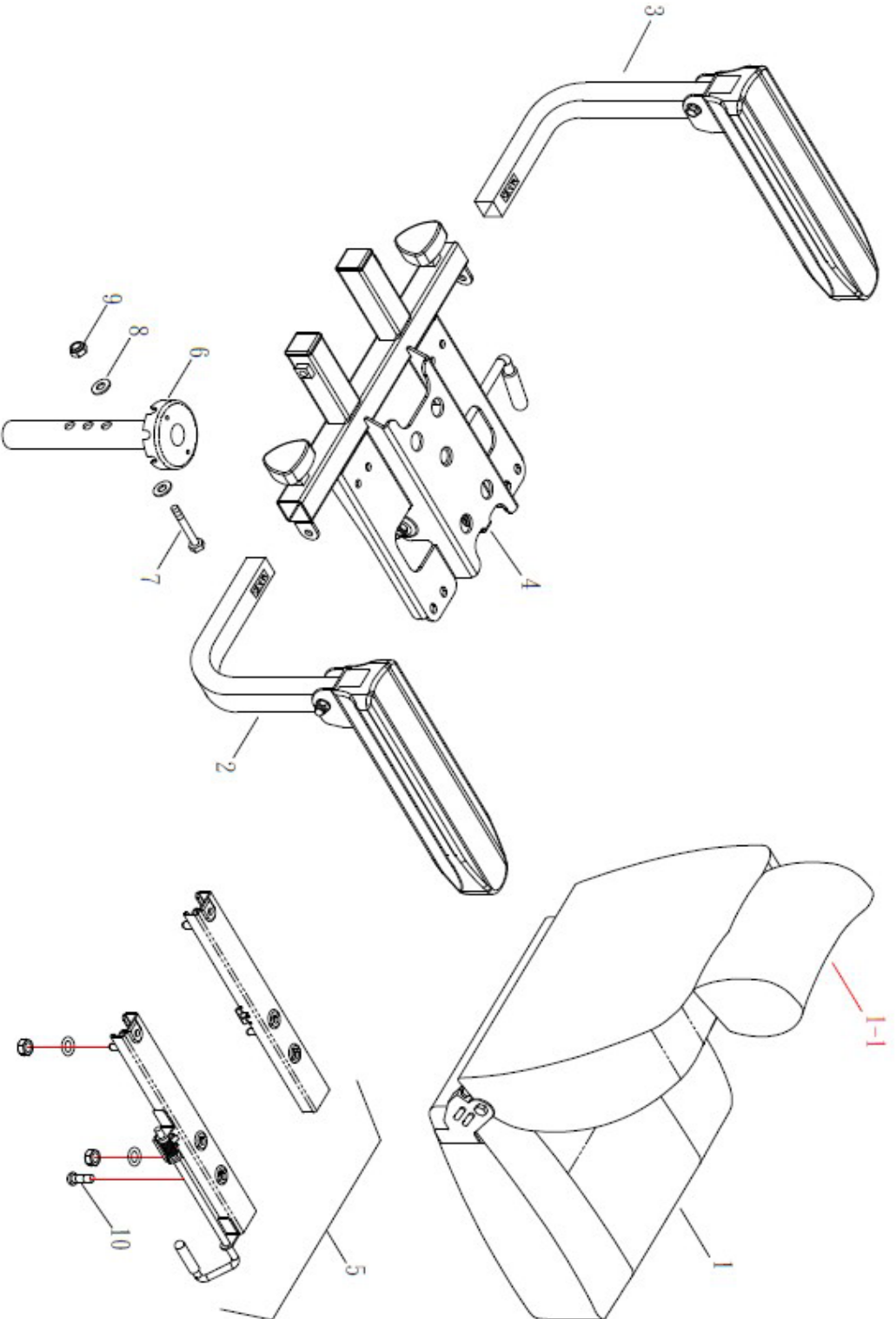
NO	ITEM NUMBER	Hepro nr	DESCRIPTION	QTY
1	342100-82800	13774	Deksel bak, batterikasse 828	1
1-1	542110-89800		SHROUD, REAR	1
1-2	572310-62800	13781	Mansjett for setesøyle 828	1
1-3	532208-62800		TREE RIVET	4
1-4	542201-58010		VEL-CRO (50L)	4
1-5	582241-82800		REAR SHROUD DECAL STICKER	1
2	345300-89802	13776	Deksel bak, 828, komplett med lykter	1
2-1	545310-89801		COVER, BUMPER REAR	1
2-2	518500-89802	13778	Blinklys, kjørellys høyre bak 828	1
2-3	518600-89802	13780	Blinklys, kjørellys venstre bak 828	1
2-4	518800-52800	13782	Bremselys, bak 828	1
2-5	542202-58010		VEL-CRO (50L)	2
2-6	503504-01205		SCREW (ψ4x12L)	4
2-7	505304-12003		WASHER	2
2-8	504500-04073		NYLON NUT	2
2-9	563150-66600		CLAMP	1
2-10	503504-01205		SCREW (ψ4x12L)	1
3	342150-89800	13784	Deksel bak, støtfanger 828	1
3-1	542150-89800		FENDER REAR	1
3-2	542340-89800		BRACKET, REAR FENDER	1
3-3	503504-01205		SCREW (ψ4x12L)	2
3-4	585020-52800		REFLECTOR-Y E MARK	2
3-5	582102-57000		STICKER REAR BODY CHANGE LAVER	1



(FIG. 4) SEAT

修訂日期：2021.11.03

HS-828





## (FIG.4) SEAT

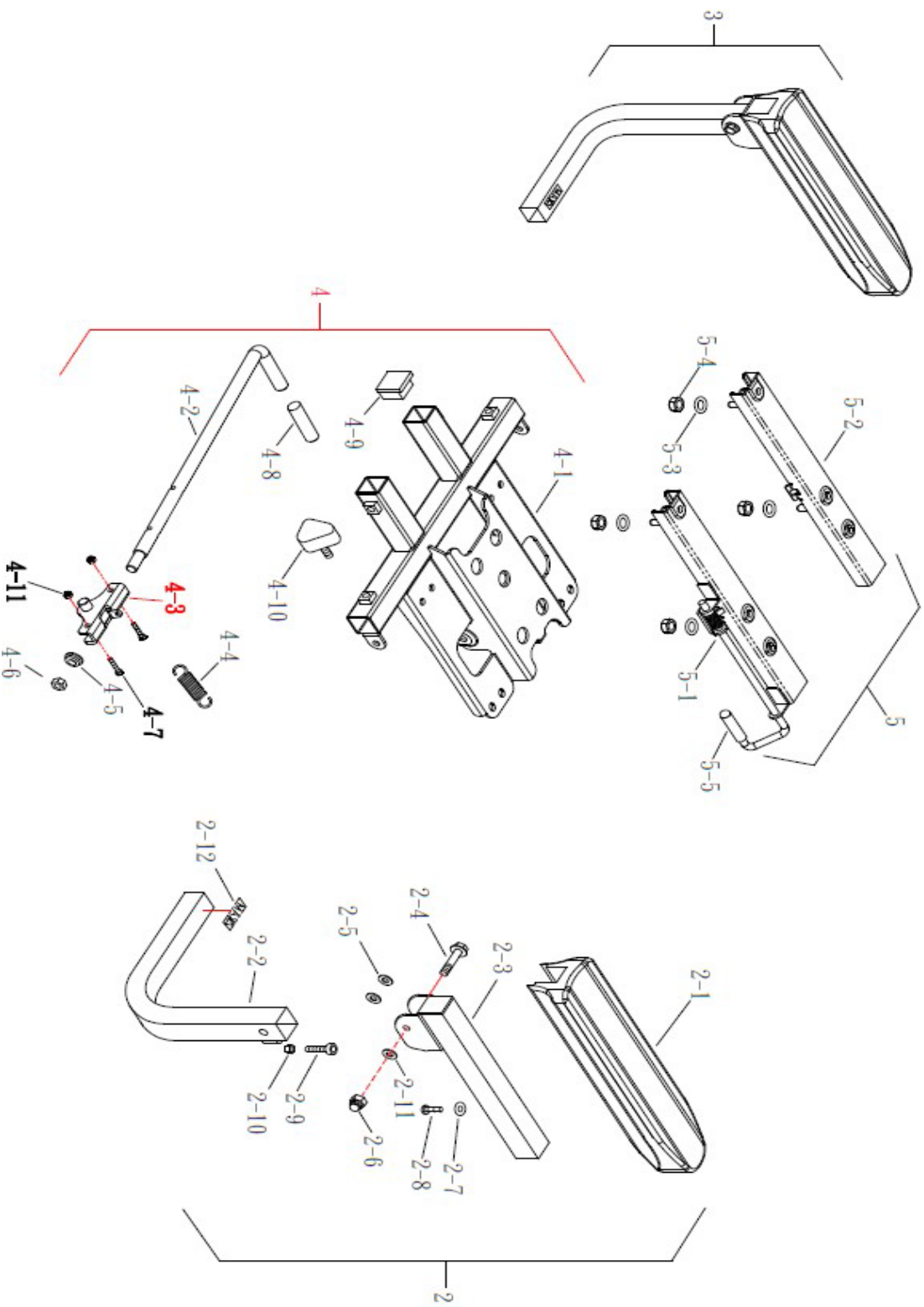
NO	ITEM NUMBER	Hepro.nr	DESCRIPTION	QTY
1	571400-82801	10147	Sete u/ braketter HS-828	1
1-1	571310-82810		SEAT HEADREST	1
2	373100-89802	13788	Armlene komplett, høyre 828	1
3	373200-89802	13789	Armlene komplett, venstre 828	1
4	372100-52011	10149	Setebraketter HS-828 og HS-520	1
5	372200-68600	11702	Glideskinne Sete Captain 828	1




(FIG. 4-1) SEAT

修訂日期：2021.10.15

HS-828



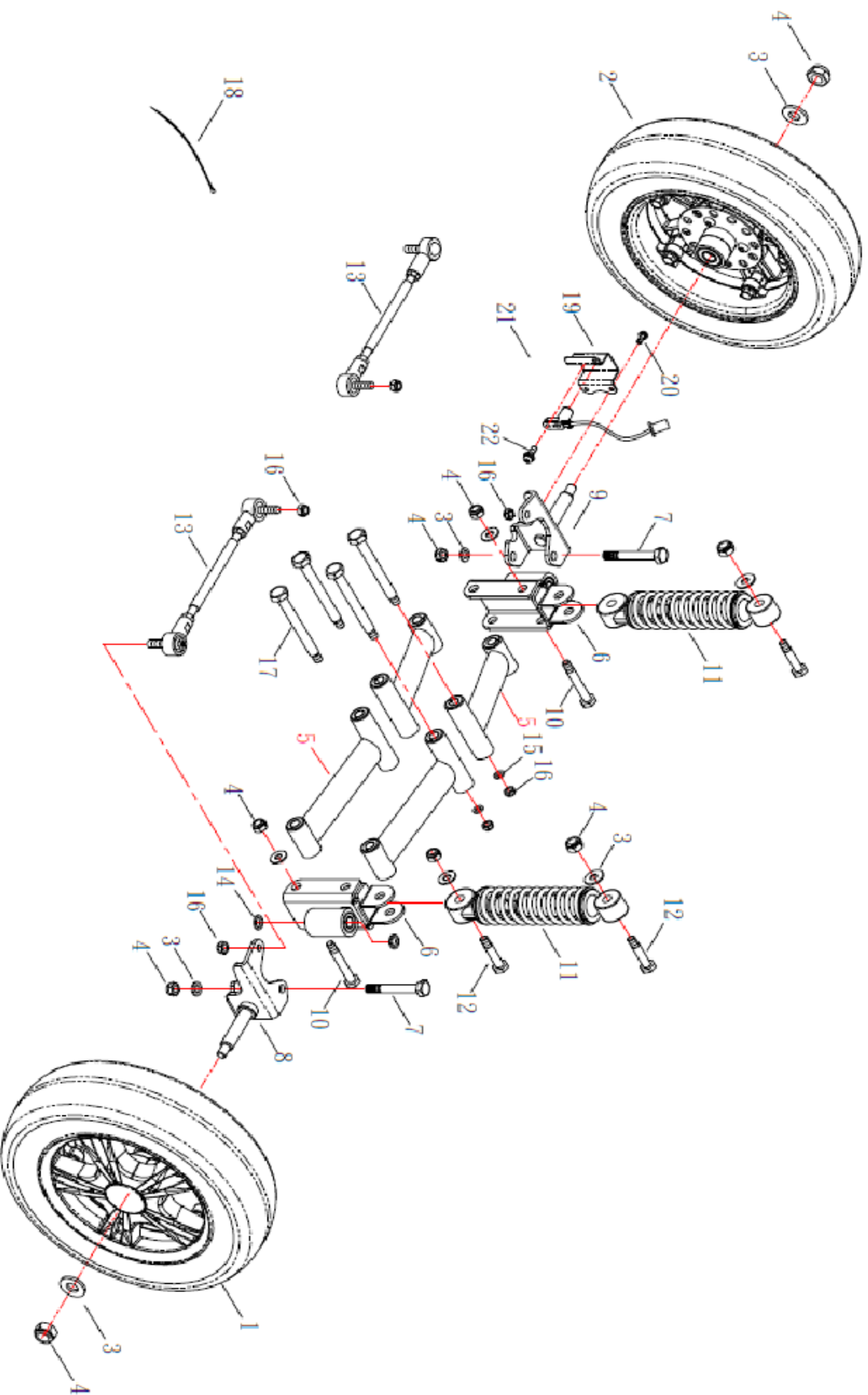
		(FIG.4-1) SEAT		
NO	ITEM NUMBER	Hepro nr	DESCRIPTION	QTY
2	373100-89802	13788	Armlene komplett, høyre 828	1
2-1	573130-74010	11734	Armlene pad til sete HS-828	1
2-2	573120-58901		BRACKET COMP., HANDRAIL R	1
2-3	573110-62800		BRACKET REST	1
3	373200-89802	13789	Armlene komplett, venstre 828	1
3-1	573130-74010	11734	Armlene pad til sete HS-828	1
4	372100-52011	10149	Setebraketter HS-828 og HS-520	1
4-2	572455-92800		HOCK COMP, ADJ SEAT	1
4-3	572450-92811		HOCK, SEAT HOLDER	1
4-4	572456-39010		SPRING	1
4-5	572457-39010		COLLAR	1
4-6	504500-08135		NYLON NUT (M8)	1
4-7	502405-02295		BOLT (M5X22L)	2
4-8	574205-73000		PLASTIC HAND, SEAT ADJ	1
4-9	572101-56000		PLUG	2
4-10	573330-29000		SCREW	2
4-11	504500-05085		NYLON NUT (M5)	2
5	372200-68600	11702	Glideskinne Sete Captain 828	1
5-1	572210-68600		SLIDE COMP. R	1
5-2	572220-68600		SLIDE COMP. L	1
5-3	505308-18003		PLANE WASHER, SLIDE COMP.	4
5-4	504500-08133		NYLON NUT, SLIDE COMP. (M8)	4
5-5	572201-68600		CAD	1



(FIG. 5) FRONT WHEEL

修訂日期：2022.05.17

HS-828





## (FIG.5) FRONT WHEEL

NO	ITEM NUMBER	Hepro nr	DESCRIPTION	QTY
1	361200-89840	13275	Hjul foran høyre 13/4.00-5 komplett 828	1
2	361800-82840	13794	Hjul foran venstre 13/4.00-5 komplett 828	1
3	505310-22003		WASHER, FRONT AXLE	12
4	504500-10173		NYLON NUT, WHEEL (M10)	12
5	533310-75810	13796	Bærebro forstilling 828	4
6	333350-75800		HOLDER ASSEMBLY, FRONT WHEEL	2
7	502310-07573		BOLT, AXLE (M10X75L)	2
8	534110-82800		AXLE COMP., FRONT WHEEL R	1
9	534120-82800		AXLE COMP., FRONT WHEEL L	1

10	502110-06753		BOLT, FRONT AXLE (M10X67L)	4
11	533210-89810	13803	Støtdemper foran 828	2
12	502110-04573	13805	Bolt til støtdemper foran 828 (M10X4	4
13	333140-74000	11747	Styrestag kort 828/740	2
14	505310-18003		PLANE WASHER	4
15	505308-18003		PLANE WASHER	4
16	504500-08133		NYLON NUT	8
17	502110-09873	13807	Bolt til bærebro foran 828 (M10X98L)	4
18	515190-73000		TIE	3
19	517840-82800		HOLDER, METTER GEAR	1
20	501305-01001		BOLT (M5X10L)	3
21	517820-82800	13802	Sensor for hastighet 828	1

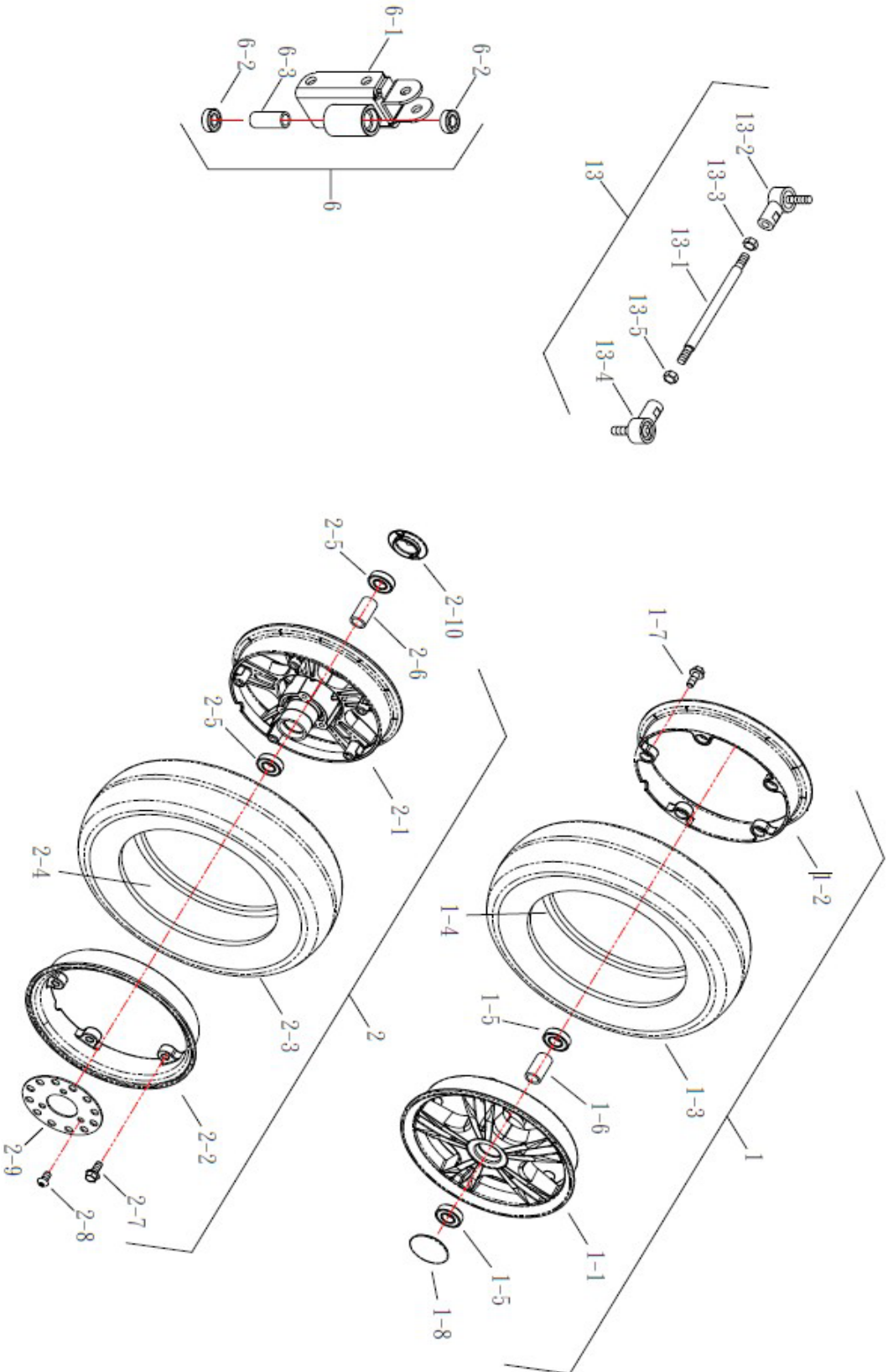
1	361200-82811	12628	Hjul foran høyre 100/60-8 komplett 828	
1	361200-89840	13275	Hjul foran høyre 13/4.00-5 komplett 828	1
2	361800-82840	13794	Hjul foran venstre 13/4.00-5 komplett 828	1
6	333350-75800		HOLDER ASSEMBLY, FRONT WHEEL	2
13	333140-74000	11747	Styrestag kort 828/740	2
1-2	561140-82800	13806	Felg indre bak, begge sider, 5" 828	1
2-1	561140-89800	13808	Felg indre foran høyre 5" 828	1



(FIG. 5-1) FRONT WHEEL

修訂日期：2022.05.17

HS-828







## (FIG.5-1) FRONT WHEEL

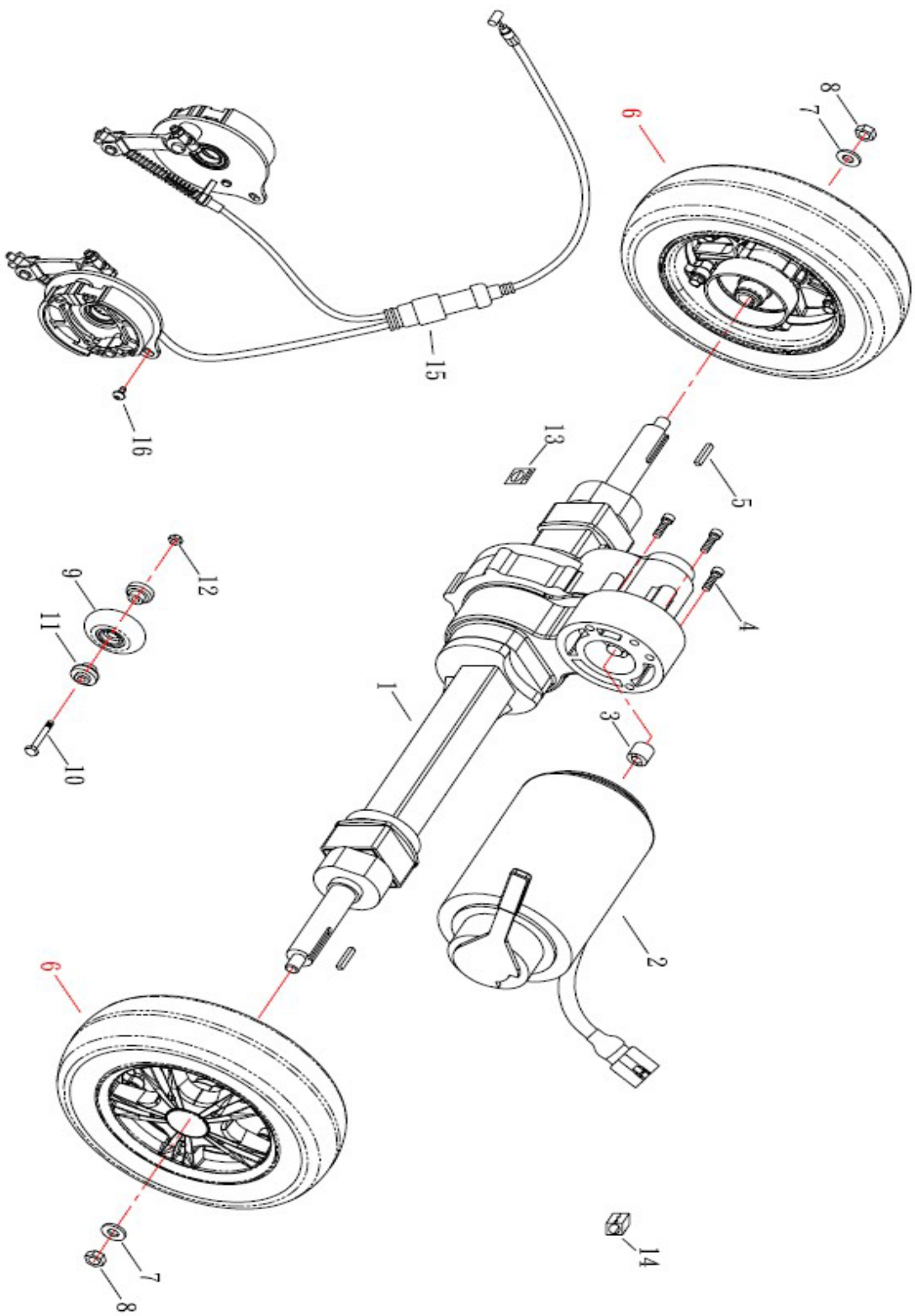
	561140-82800	13809	Felg foran indre, Venstre 5" 828	1
1-1	561120-65800	13804	Felg ytre, foran & bak 5" 828	1
2-1	561120-82800	13791	Felg ytre, bak, begge sider 8" 828	1
2-2	562160-82800	13810	Felg indre, bak Lavprofil 8" 828	1
6-1	533350-75800		HOLDER, FRONT WHEEL	1
6-2	508106-10225		BEARING (SPEED)	2
13-2	533120-89000		LINK, L	1
2-3	561101-82800	13280	Dekk Lavprofil alle 828 (100/60-8)	1
2-3	562101-89010	13281	Dekk, 13/4-5" 828	
6-3	509034-10163		SPACER	1
13-3	504110-08121		NUT	1
2-4	561102-82801	13282	Slange 8" foran og bak HS-828	1
2-4	562102-74010	13279	Slange 4.00-5 foran og bak HS-828	
1-5	508109-15324	11749	Lager 6002 RS2 til felg foran	2
13-5	504100-08123		NUT	1
2-6	509040-16221	13718	Distansehylse framhjul 828	1
1-7	502308-02053		BOLT, FRONT RIM (M8X20L)	5
2-7	502308-02053		BOLT, FRONT RIM (M8X20L)	5
1-8	562185-75800	13284	Hjulkapsel 8" 828	1
2-8	502608-01555		BOLT, SLIDE COMP. (M8X15L)	3
2-9	517870-82800	13801	Skive for sensor hastighet 828	1



(FIG. 6) REAR WHEEL & MOTOR ASSEMBLY

修訂日期：2018.07.16

HS-828





## (FIG.6) REAR WHEEL & MOTOR ASSEMBLY

NO	ITEM NUMBER	Hepro nr	DESCRIPTION	QTY
1	351000-89800	13818	Transaksel 828	1
2	511100-89811	10941	Motor HS 828 15 km m. emb	1
2	511100-89820	13819	Motor HS 828 10km/h m. emb	1
3	552510-72800	13256	Overgang motor/gear HS-520/828	1
4	502406-05053		BOLT, MOTOR (M6X50L)	3
5	554710-73000	11755	Sporkile transaxel/hjul (□5X30L)	2

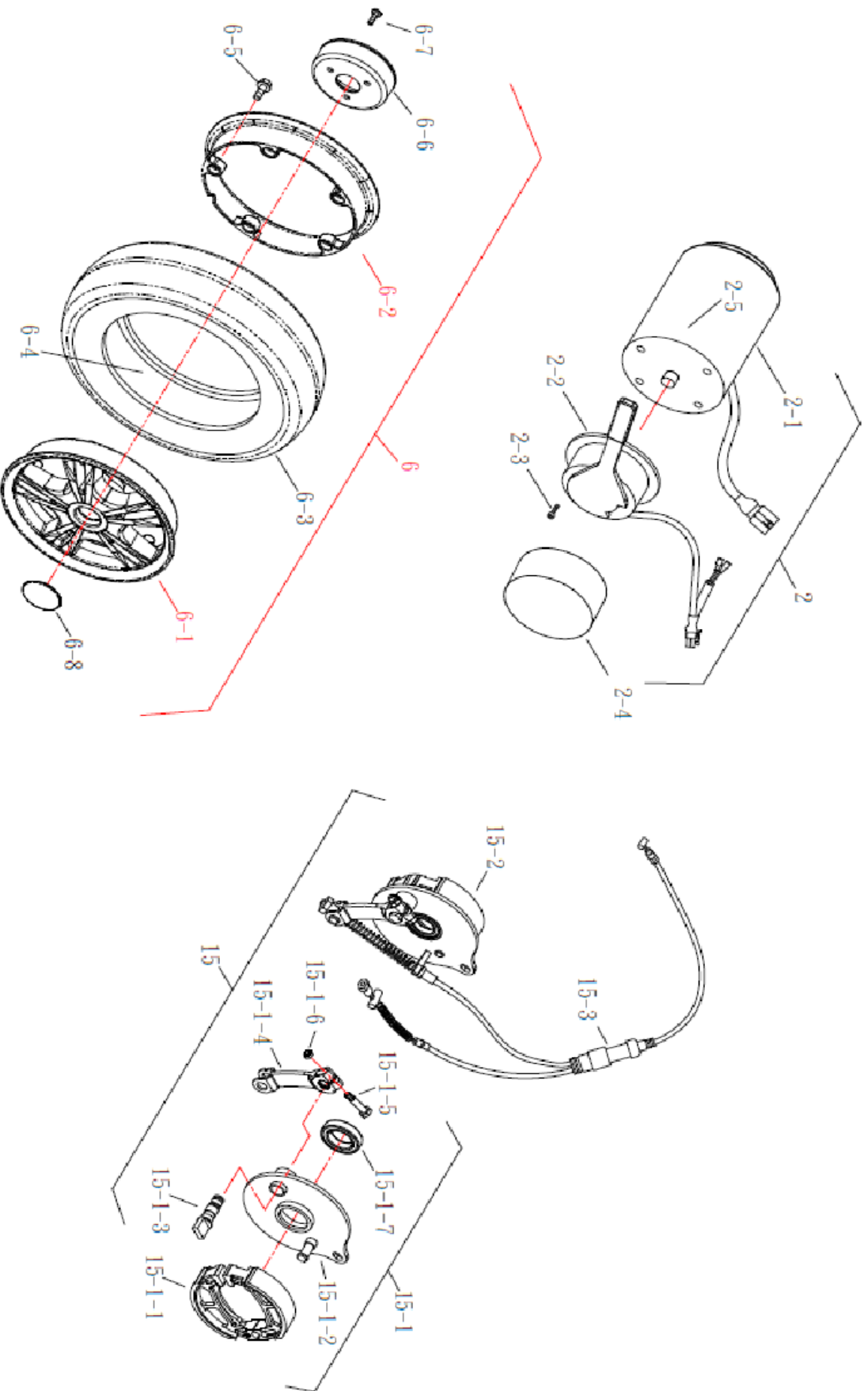
6	362200-82830	13277	Hjul bak komplett 828 13/4.00-5	
6	362200-82811	12630	Hjul komplett bak 100/60-8 HS-828	2
7	505310-25003		PLANE WASHER, REAR WHEEL	2
8	504500-10173		NYLON NUT, WHEEL (M10)	2
9	564340-56000		WHEEL, ANTI-TIPPER	2
10	502106-04013		BOLT, WHEEL (M6X40L)	2
11	564350-56000		BEARING, ANTI-TIPPER	4
12	504500-06103		NYLON NUT (M6)	2
13	582114-57000		STICKER TRANSAXL INSPECTION	1
14	515165-85000		EMI CORES	1
15	365000-89800	13821	Brems bak, begge sider 828	1
16	502606-01253		BOLT (M6X12L)	2



(FIG. 6-1) REAR WHEEL & MOTOR ASSEMBLY

修订日期：2018.07.16


HS-828






(FIG.6-1) REAR WHEEL & MOTOR ASSEMBLY

NO	ITEM NUMBER	Hepro nr	DESCRIPTION	QTY
2	511100-89811	10941	Motor HS 828 15 km/h m. emb	1
2-1	511500-89810		MOTOR (15KM-RHINO2-120A)	1
2-1-1	511113-89800		GRAPHITE BRUSH	4
2-2	511700-89810		CLUTCH & BRAKE	1
2-3	501304-00801		SCREW, CLUTCH LEVER (M4X8L)	3
2-4	511703-89800		BATTER COVER BRAKE	1
2-5	511111-89800		GRAPHITE BRUSH COVER	4
2	511100-89820	13819	Motor HS 828 10km/h m. emb	1
2-1	511500-89820		MOTOR (10KM-RHINO2-120A)	1
2-1-1	511113-71118		GRAPHITE BRUSH	4
2-2	511700-89820		CLUTCH & BRAKE	1
2-3	501304-00801		SCREW, CLUTCH LEVER (M4X8L)	1
2-4	511703-89820		BATTER COVER BRAKE	1
2-5	511111-73000		GRAPHITE BRUSH COVER	1
6	362200-82811	12630	Hjul komplett bak 100/60-8 HS-828	2
6-1	562120-82800		RIM, REAR WHEEL OUTER	1
6-2	562160-82800		RIM, WHEEL INNER	1
6-3	561101-82800	13280	Dekk 100/60-8 alle 828	1
6-4	561102-82801	13282	Slange 8" foran og bak HS-828	1
6-5	502308-02053		BOLT, FRONT RIM (M8X20L)	5
6-6	561152-89810		DRUM, BRAKE	1
6-7	502608-02055		BOLT (M8X20L)	3
6-8	562185-75800	13284	Hjulkapsel 8" 828	1
15	365000-89800	13821	Brems bak, begge sider 828	1

		<b>(FIG.7) ACCESSORY</b>		
NO	ITEM NUMBER	Hepro nr	DESCRIPTION	QTY
1	377300-73000	10526	Oksygenflaskeholder	1
23	335100-82800	12599	Støtfanger stål foran HS 828	1
24	345100-82800	12624	Støtfanger stål bak HS 828	1
30	523110-74000	10920	Kurv foran CTM HS 740/520/828	1

		<b>(FIG.7-1) ACCESSORY</b>		
NO	ITEM NUMBER	Hepro nr	DESCRIPTION	QTY
1	377300-73000	10526	Oksygenflaskeholder	1
2-2	572101-73000	13211	Endeplugg til styre, 520/828	1
10-3	562101-89000	11674	Dekk bak, HS 740 (4.00-5)	1
10-4	562102-74000	11676	Slange bak, HS 740 (4.00-5)	1
11-3	562101-89000	11674	Dekk bak, HS 740 (4.00-5)	1
11-4	562102-74000	11676	Slange bak, HS 740 (4.00-5)	1
11-5	508109-15324	11749	Lager 6002 RS2 til felg foran 828/740	2
12-1	561120-65800	13804	Felg ytre, foran & bak 5" 828	1
12-2	562150-82800	13806	Felg indre bak, begge sider, 5" 828	1
12-3	562101-89000	11674	Dekk bak, 4.00- 5" HS 740	1
12-4	562102-74000	11676	Slange bak, 4.00-5" HS 740	1
16-5	508109-15324	11749	Lager 6002 RS2 til felg foran 828/740	2
16-6	509040-16221	13218	Distansehylse framhjul 828	1
16-8	562185-75800	13284	Hjulkapsel 8" 828	1
17-1	561120-82800	13791	Felg ytre, bak, begge sider 8" 828	1
17-5	508109-15324	11749	Lager 6002 RS2 til felg foran 828/740	2
17-6	509040-16221	13218	Distansehylse framhjul 828	1
17-10	562185-75800	13284	Hjulkapsel 8" 828	1
18-8	562185-75800	13284	Hjulkapsel 8" 828	1
19	317920-82801	13273	Gyro, komplett med feste HS-828	1
22	335100-82800	12599	Støtfanger stål foran HS 828	1
23	345100-82800	12624	Støtfanger stål bak HS 828	1
25-1	573130-74010	11734	Armlene pad til sete HS-828	1
26-1	573130-74010	11734	Armlene pad til sete HS-828	1

