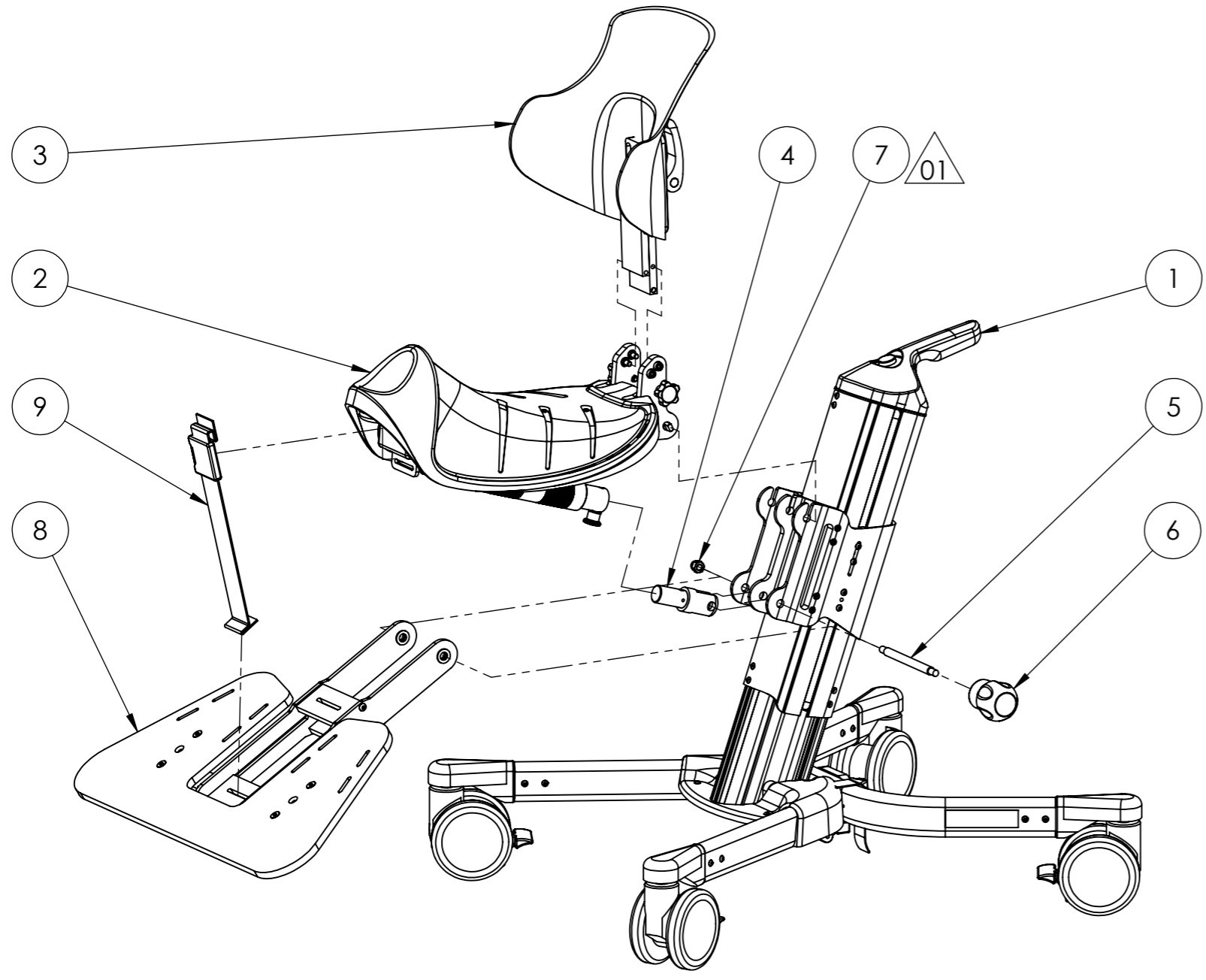


REV.	DESCRIPTION	DATE	APPROVED
00	Established	24.08.2017	
01	Fasteners (Item 7) updated	02.11.2017	



ITEM NO.	PART NUMBER	Title	QTY.
1	300-1126	Undercarriage, complete - Size 1, Manual	1
2	300-3006	Krabat Jockey, Seat, complete, size 1	1
3	900-1134	Backrest, high, complete, size 1	1
4	300-2022	Fitting end	1
5	300-2027	Secondary Bolt	1
6	900-1256	Elesa code: 245203-C1	1
7	DIN 1587 - M8 --NNU - St - 10.9 - EZ		1
8	300-1102	Foot rest assy, size 1	1
9	300-3032	Strap, Foot rest	1

UNLESS OTHERWISE SPECIFIED:				<p style="text-align: center; font-size: 24pt; font-weight: bold;">Krabat Jockey</p>	
ALL DIMENSIONS ARE IN MILLIMETERS	TOLERANCES, LINEAR/ ANGULAR: NS-ISO 2768-1-m-K	DEBUR AND BREAK SHARP EDGES	PAPER SIZE: A3		
			MATERIAL:	<p style="text-align: center;">TITLE: Krabat Jockey size 1, complete</p>	
			TREATMENT:		
NAME	SIGNATURE	DATE	FINISH:	300-1001	REVISION
DRAWN	A.S.	24.08.17	WEIGHT:		01
CHK'D					
APP'VD				SHEET 1 OF 1 SCALE:1:7 DO NOT SCALE DRAWING	