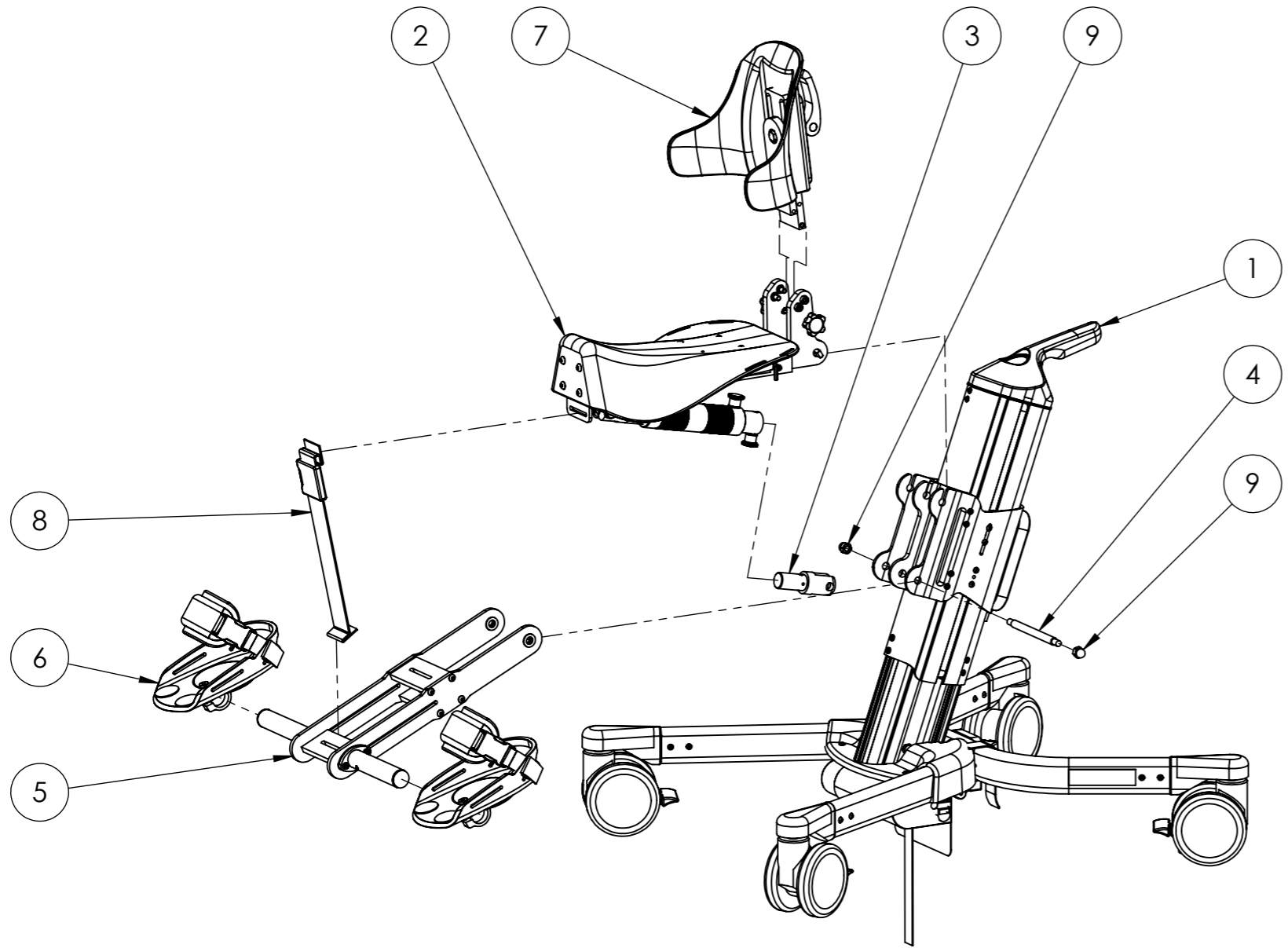


REV.	DESCRIPTION	DATE	APPROVED
00	Established	27.04.2022	



ITEM NO.	PART NUMBER	Title	QTY.
1	300-1128	Undercarriage, complete - Size 1, Electric	1
2	300-3009	Seat, complete, size 0	1
3	300-2022	Fitting end	1
4	300-2027	Secondary Bolt	1
5	300-1104	Foot rest assy, size 1	1
6	900-1322	Foot rest, complete, size 1	2
7	900-1454	Backrest, low, complete, size 1	1
8	300-3032	Strap, Foot rest	1
9	DIN 1587 - M8 --NNU		2

UNLESS OTHERWISE SPECIFIED:				<h1 style="text-align: center;">Krabat Jockey</h1>	
ALL DIMENSIONS ARE IN MILLIMETERS	TOLERANCES, LINEAR/ ANGULAR: NS-ISO 2768-1-m-K	DEBUR AND BREAK SHARP EDGES	PAPER SIZE: A3		
		MATERIAL:	TITLE: Jockey size 0, electric, complete		
		TREATMENT:	DWG NO. 300-4023 REVISION 00		
NAME	SIGNATURE	DATE	FINISH:	SHEET 1 OF 1 SCALE:1:10 DO NOT SCALE DRAWING	
DRAWN A.S.		27.04.22	WEIGHT:		
CHK'D					
APP'VD					